

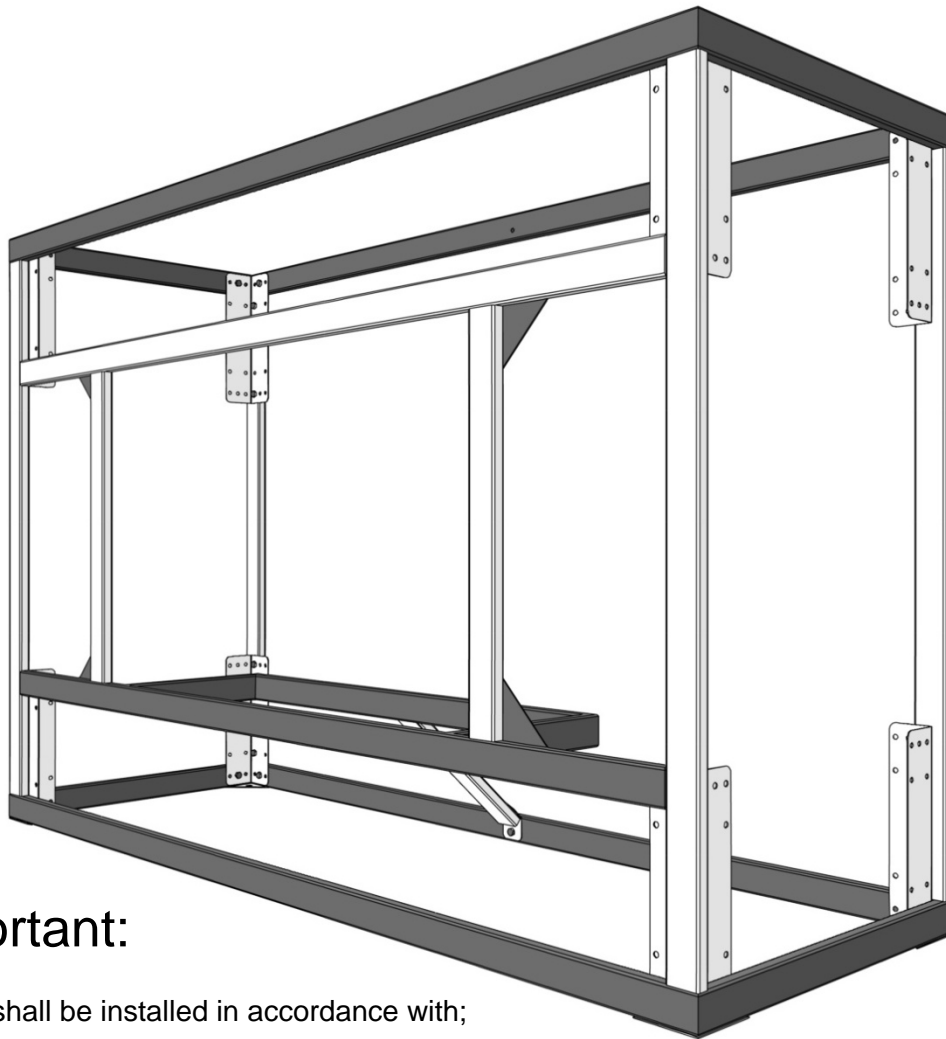
escea.

Kitset Enclosure – KSE

(Kitset Wall Unit - KWU)

Can be used in conjunction with escea EF5000 Outdoor Gas Fireplace

Installation Manual



Important:

The Kit shall be installed in accordance with;

- This installation instruction booklet
- Municipal building codes
- All relevant statutory regulations.
- Must be installed by a qualified person

For contact details of your local escea distributor or dealer please contact one of the following:

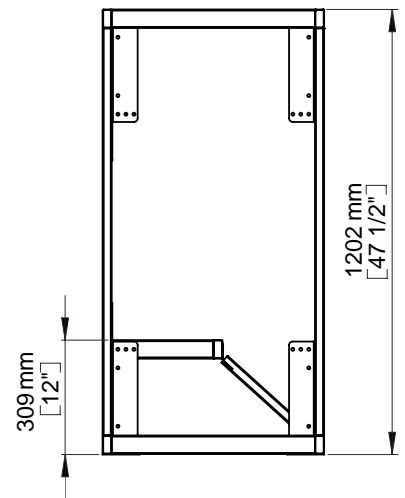
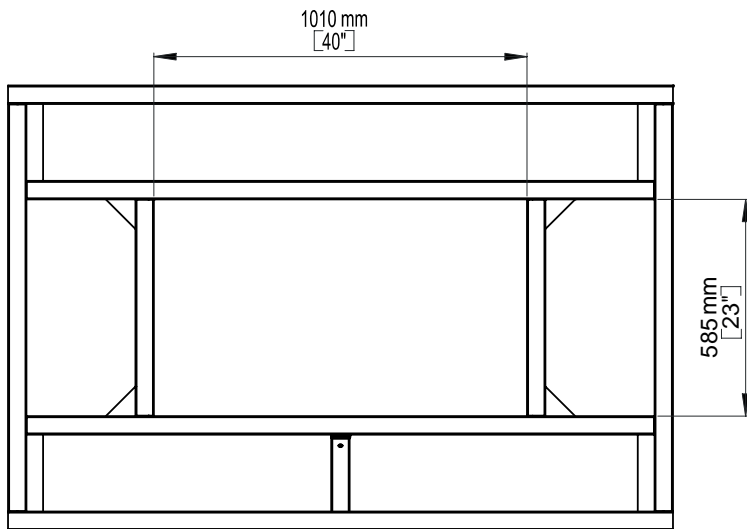
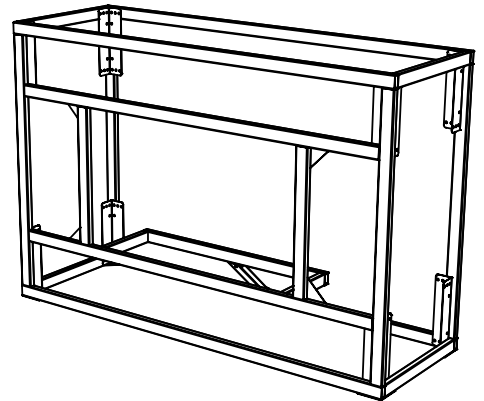
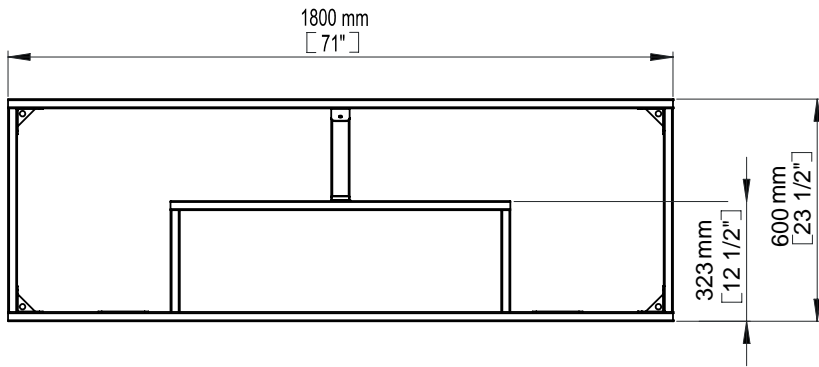
Manufactured by:
Escea Ltd
PO Box 5277
Dunedin
New Zealand

Contact Details (NZ):
Web: www.escea.co.nz
Email: info@escea.co.nz
Ph: +64 3 479 0302
F: +64 3 479 0301

Contact Details (AU):
Web: www.escea.com.au
Email: info@escea.com.au
Ph (East Coast): +61 3 8787 3567
Ph (West Coast): +61 8 9373 7000

Contact Details (US):
Web: www.escea.net
Email: info@escea.net
Ph: 866 615 3096
F: 770 412 8403

Finished Dimensions:



Note: Third angle projection

Note: You will need a 13mm ($\frac{1}{2}$ ") Spanner and/or socket and ratchet handle.

Kitset Contents:

It is important to check that the contents of your KSE (KWU) Flatpack is complete before you start the assembly process.

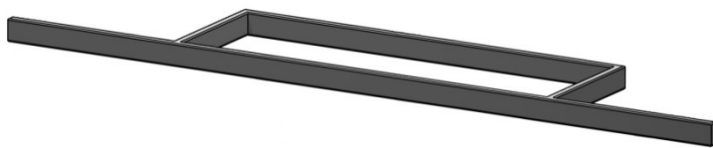
Your Flatpack should include the following components:



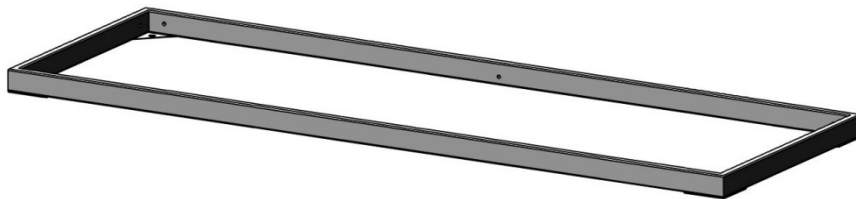
56 x M8x20mm ($\frac{5}{16}$ x $\frac{13}{16}$ ")
Hex Bolt
Part #303053



1 x Top Section
Part #700029



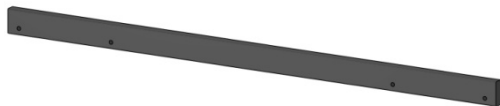
1 x Middle Section
Part #700030



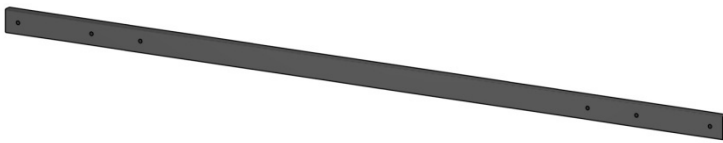
1 x Bottom Section
Part #700031
(corner gussets attached for
fixing to ground)



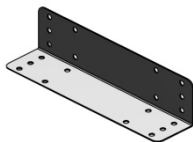
2 x 583mm ($22 \frac{15}{16}$ ") Vertical
Part # 120008



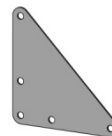
4 x 1098mm ($43 \frac{7}{32}$ ") Vertical
Part # 120003



1 x 1698mm ($66 \frac{55}{64}$ ") Horizontal
Part # 120004



8 x Corner Bracket
Part #100401



4 x Triangle Gusset
Part #100402



2 x Support Leg Bracket
Part #100403



1 x 315mm ($12 \frac{2}{5}$ ")
Support Leg
Part #100420

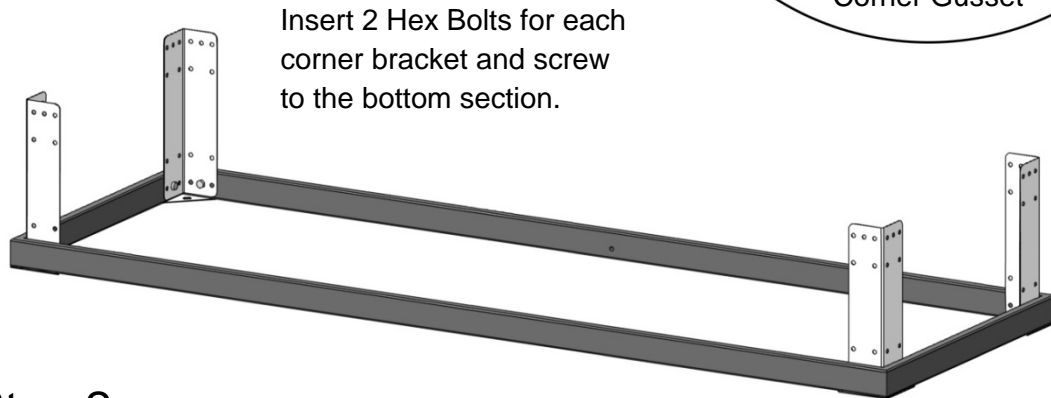
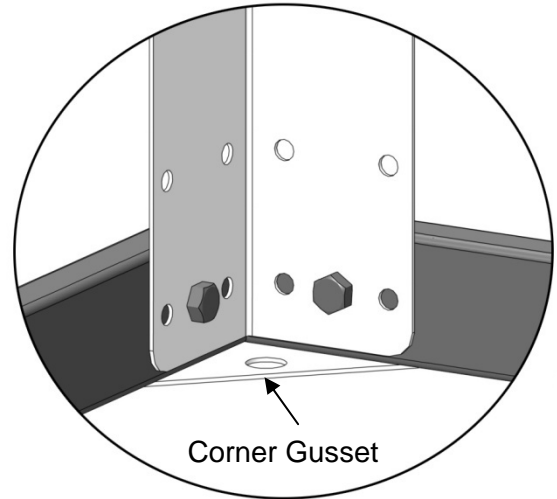
Assembly

When tightening the bolts to the frame, make sure the parts are lined up correctly. This will ensure that you do not cross-thread the bolt inside the riv-nut. On initial assembly, tighten bolts lightly, tighten properly once the KSE (KWU) frame is complete.

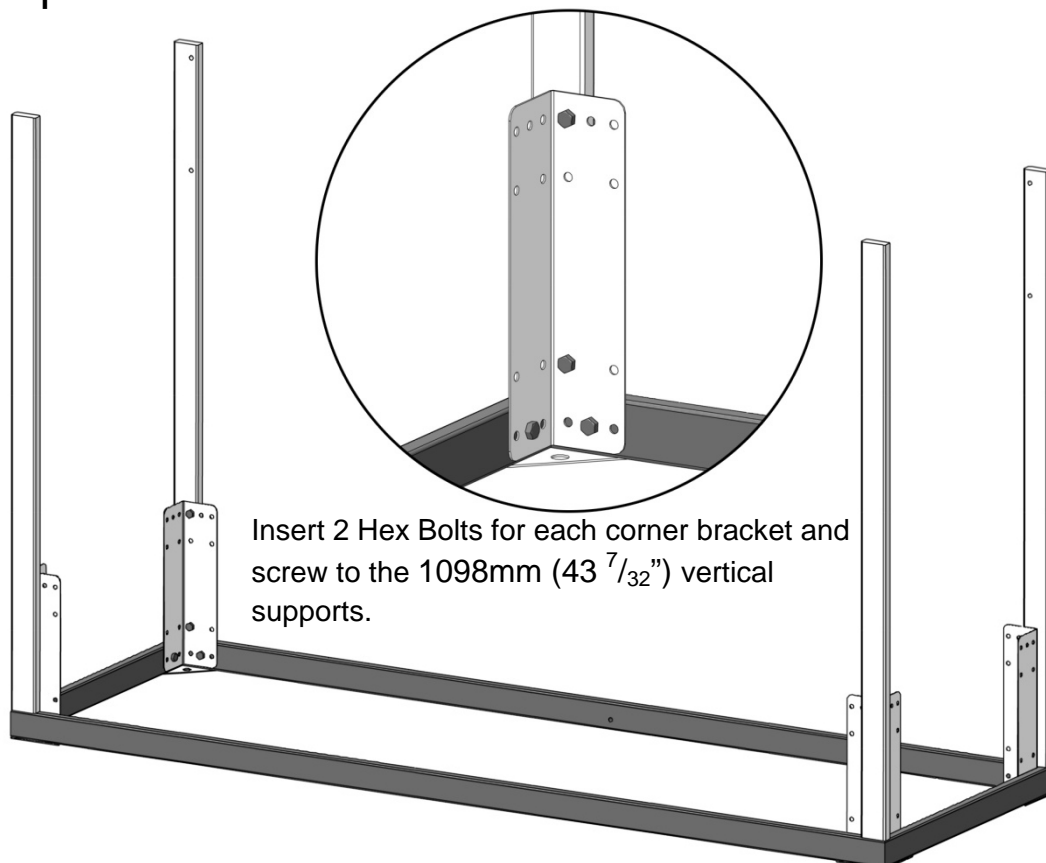
Step 1 – Section One

Parts needed for step 1 & 2

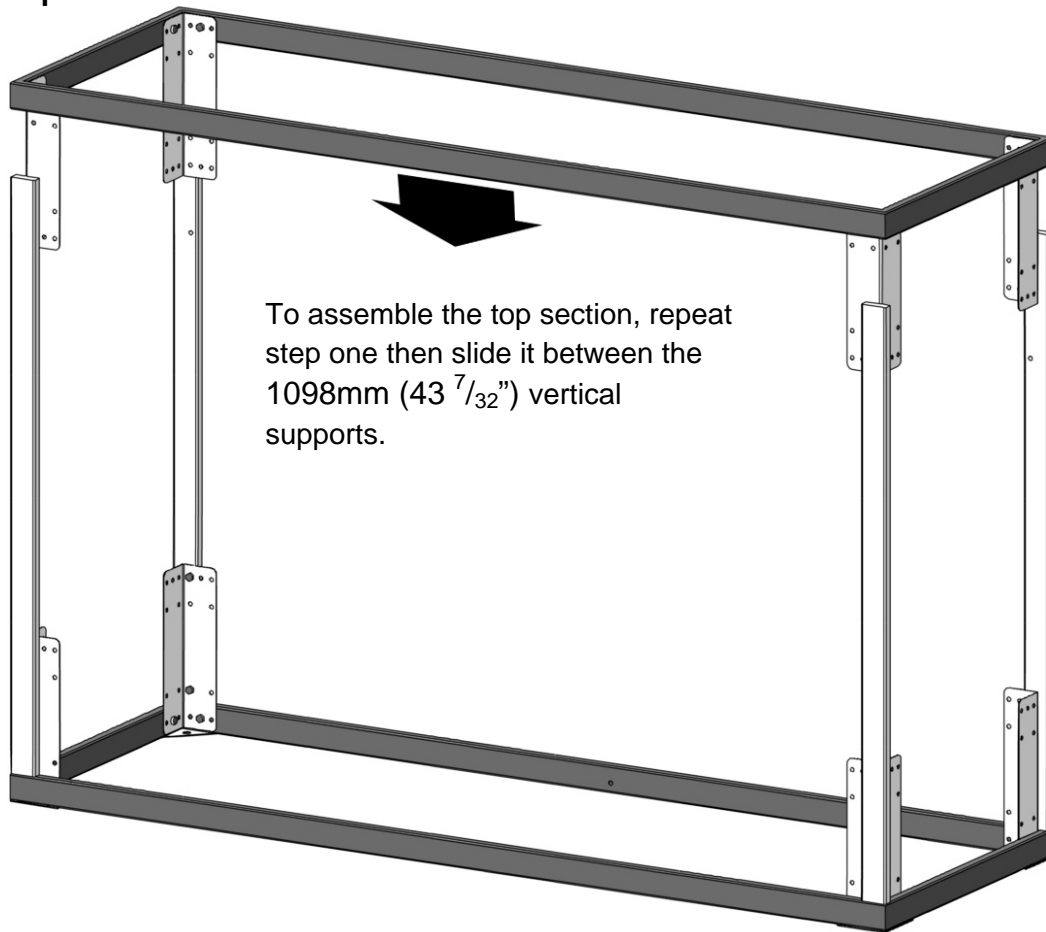
Item	Qty
Bottom Section	1
Corner Bracket	4
1098mm (43 7/32") Vertical	4
M8x20mm (5/16 X 13/16") Hex Bolt	16



Step 2

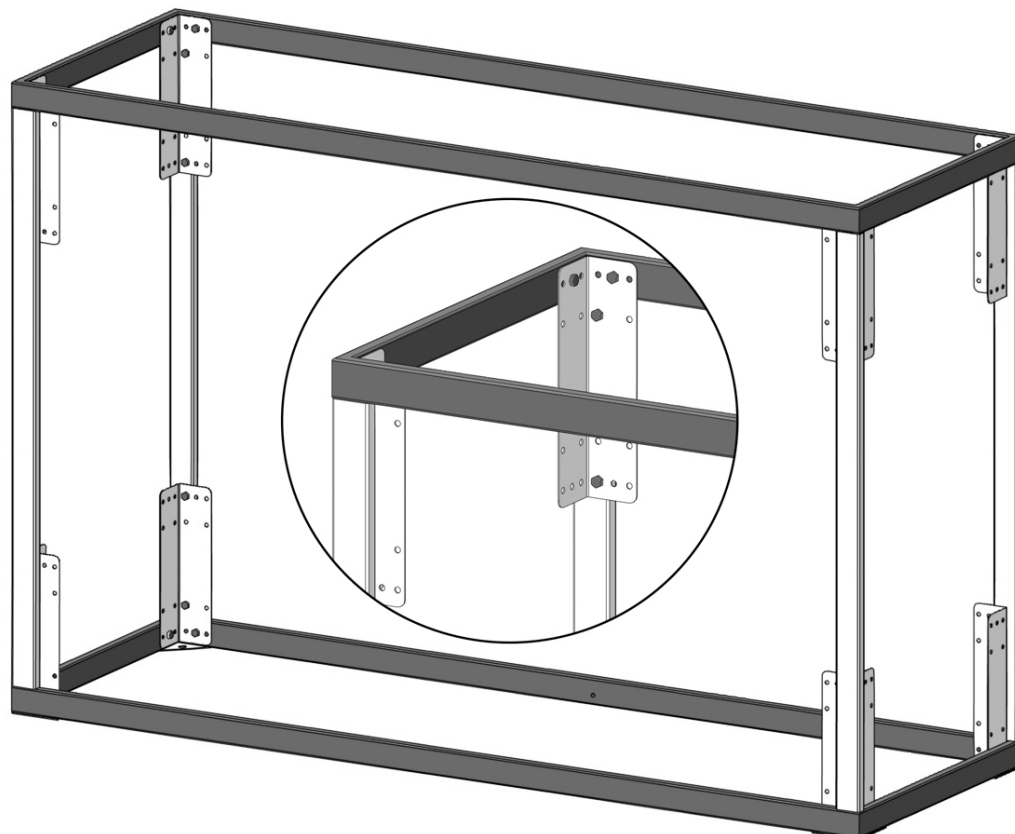


Step 3



To assemble the top section, repeat step one then slide it between the 1098mm (43 ⁷/₃₂") vertical supports.

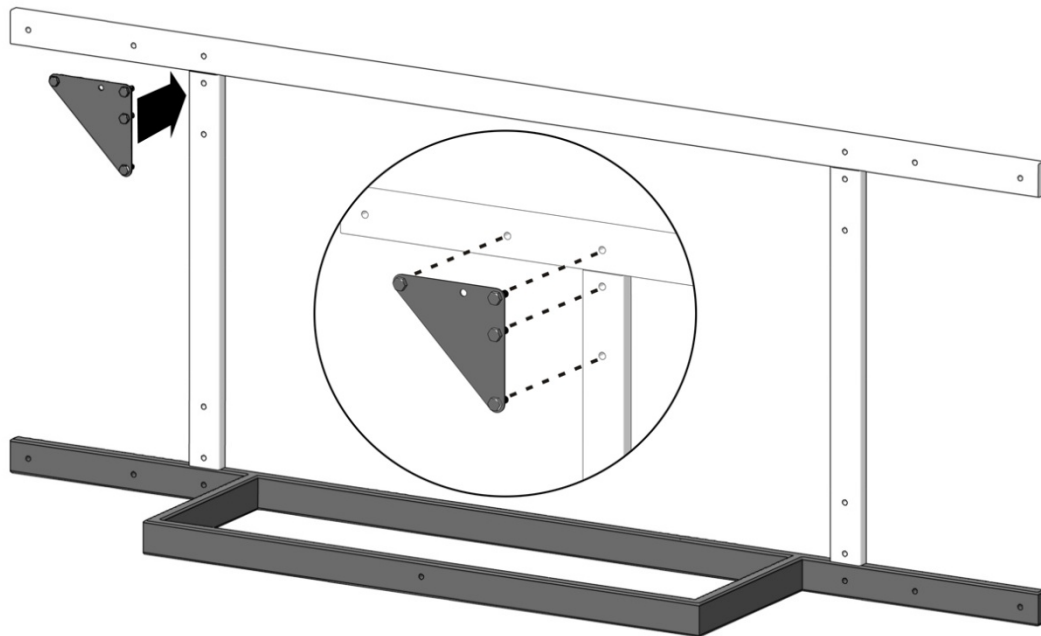
Once the top section is in place it can be attached with the hex bolts to the 1098mm (43 ⁷/₃₂") vertical supports. Section One is now complete.



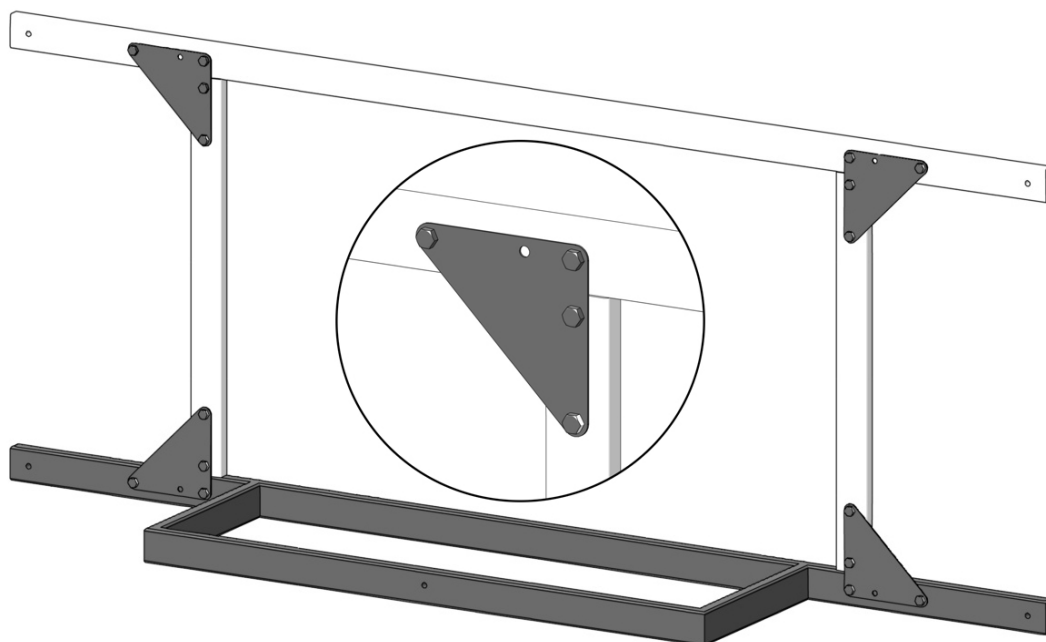
Step 4 – Section Two

The next step is to assemble the internal section of the KSE (KWU). This section will support the EF5000 Outdoor Fireplace.

Item	Qty.
Triangle Gusset	4
1698mm (66 ⁵⁵ / ₆₄ ") Horizontal	1
583mm (22 ¹⁵ / ₁₆ ") Vertical	2
M8x20mm (⁵ / ₁₆ x ¹³ / ₁₆ ") Hex Bolt	20
Middle Section	1

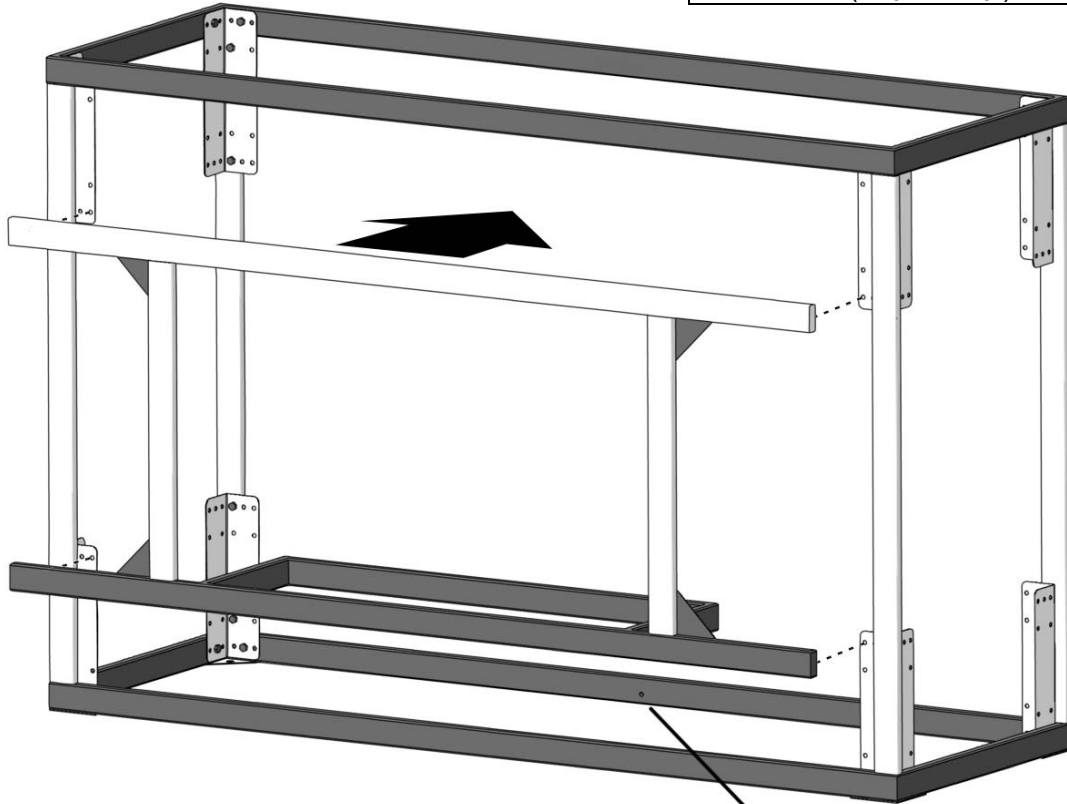


Attach the four triangle gussets to the Horizontal, Vertical and Middle sections as shown. Section Two is now complete.

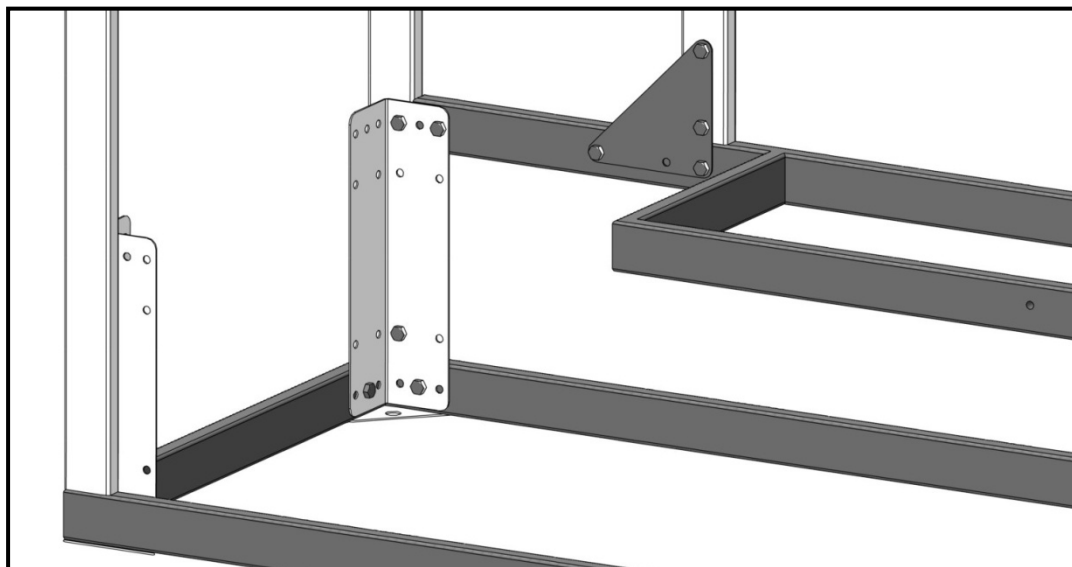
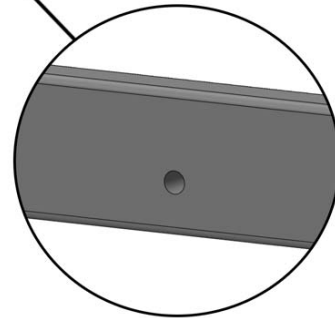


Step 5

Item	Qty.
Section One	1
Section Two	1
M8x20mm ($\frac{5}{16}$ X $1\frac{3}{16}$ ") Hex Bolt	4

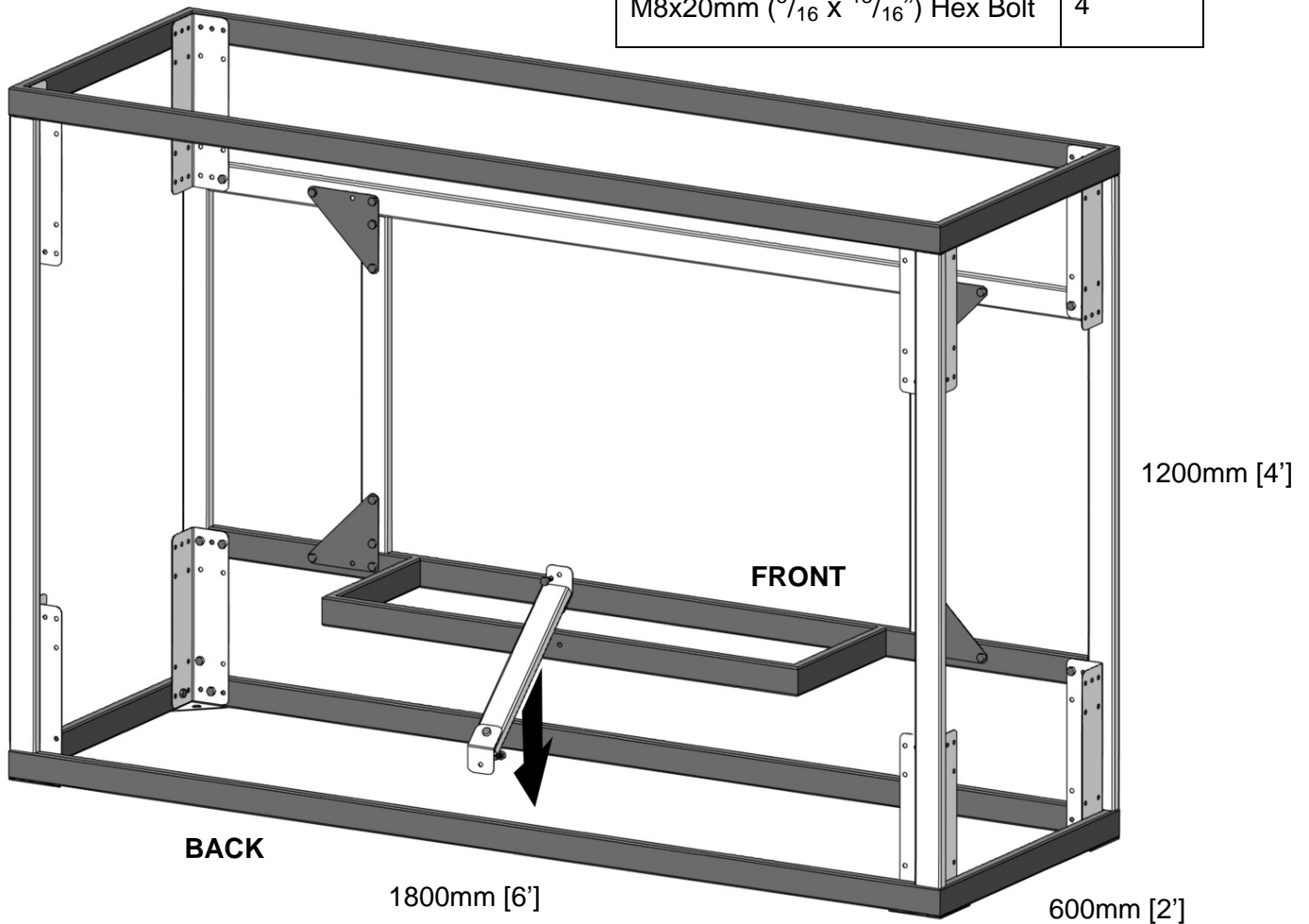


Attach Section Two to Section One.
Ensure correct orientation as shown.

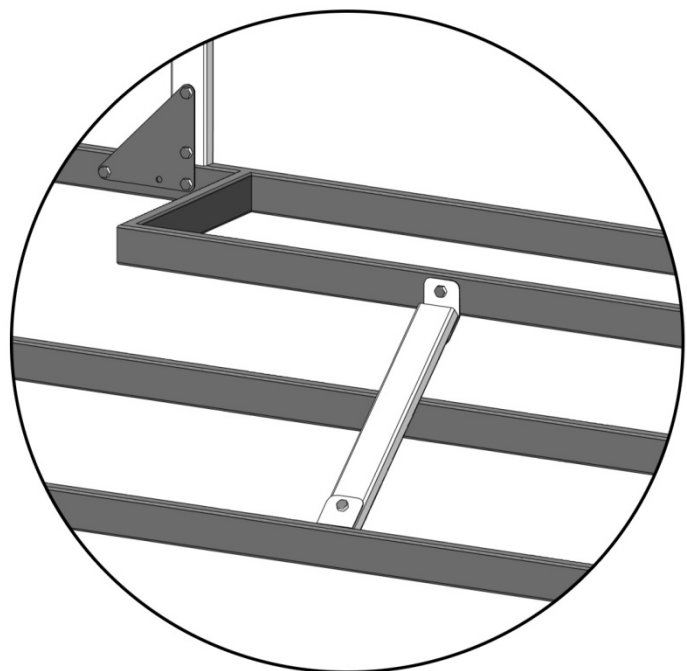


Step 6

Item	Qty.
Main Assembly	1
315mm (12 ² / ₅ ") Support Leg	1
Support Leg Bracket	2
M8x20mm (⁵ / ₁₆ X ¹³ / ₁₆ ") Hex Bolt	4

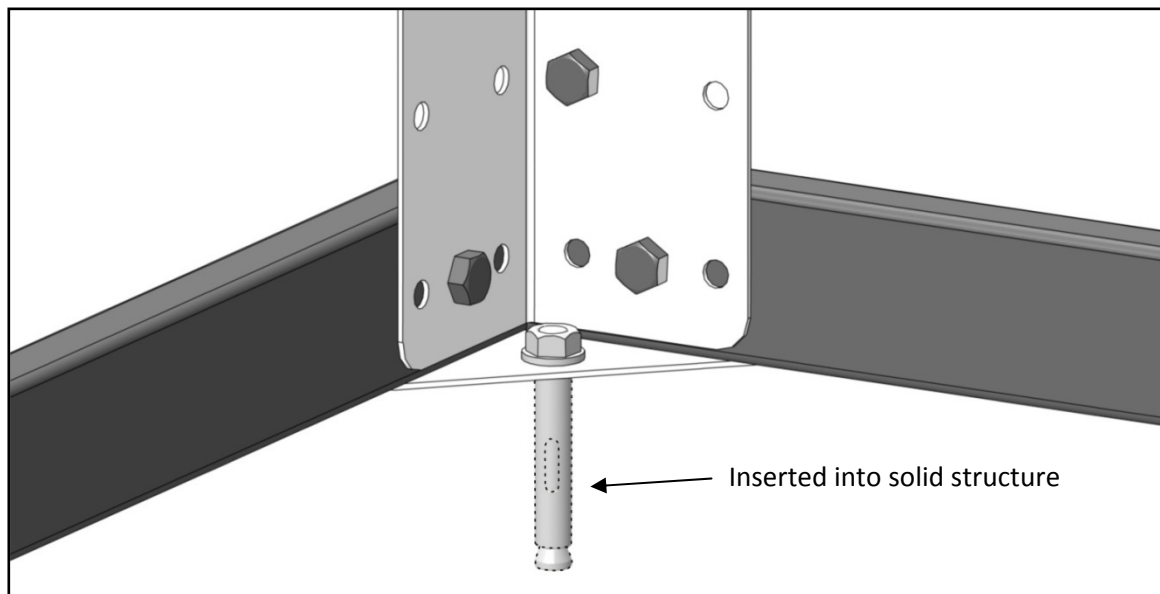


To attach the support leg simply attach the two brackets to the 315mm (12 ²/₅") support leg and fix it in place between the middle and bottom section with the hex bolts.



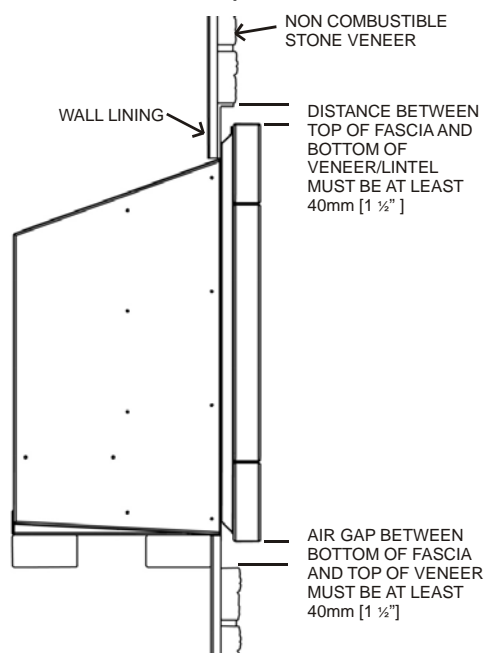
Fixing to the Ground

Attached to the bottom section of the Kitset Enclosure (Kitset Wall Unit) are 4 corner gussets. Bolts or Dyna-bolts **must** be inserted into the gussets to secure the KSE (KWU) to the ground.



Adding Your Own Unique Finish

Now that your Kitset Enclosure (Kitset Wall Unit) is complete, you can now add your own choice of cladding to finish it off. Different applications and installations require unique claddings, hence Escea have made the Kitset Enclosure (Kitset Wall Unit) to be as flexible as possible. Below are some guidelines on how the cladding should be completed.



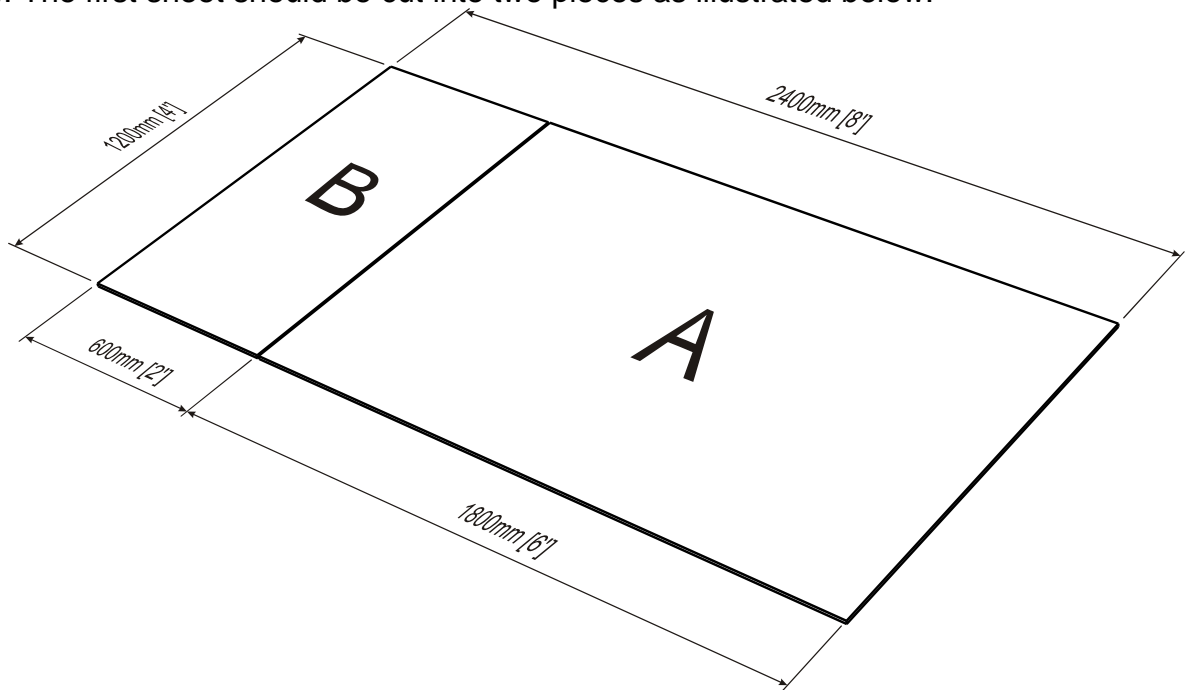
The unit was designed with 300mm (11 ¹³/₁₆") x 300mm (11 ¹³/₁₆") tiles in mind, but any finish from stone veneer, rough-cast plaster, timber or anything else that you can think of, could be used to good effect.

When planning your finish, make allowance for the fact that the Fire Fascia will cover part of that outer layer, and must sit in front of the cladding, **not flush with it** (see diagram at left). It may be a good idea to mock up the installation in order to get it right.

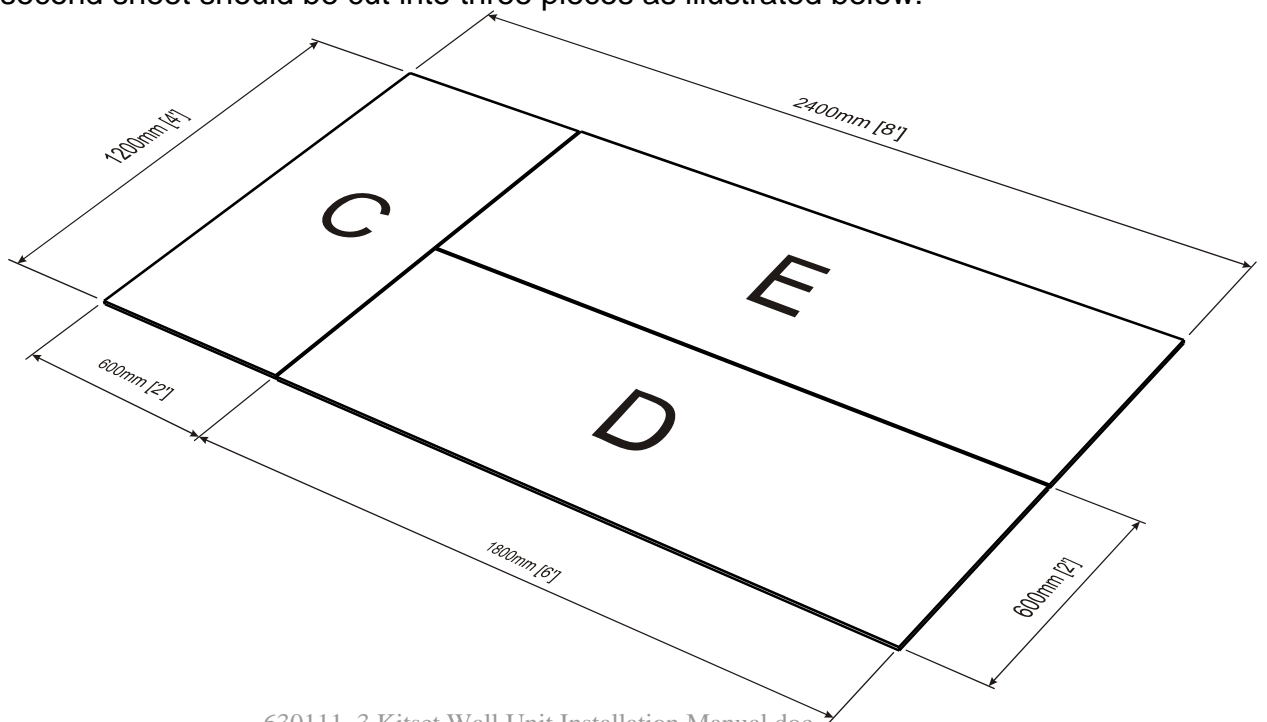
The size of the Kitset Enclosure (Kitset Wall Unit) has been designed to fit in with standard 2400mm [8'] x 1200mm [4'] sheets. If the Kitset Enclosure (Kitset Wall Unit) is to be installed up against a wall or similar structure, only two full sheets are required. If it is to be set up as a standalone unit, a third sheet may be required.

A Guide to Sheet Cutting

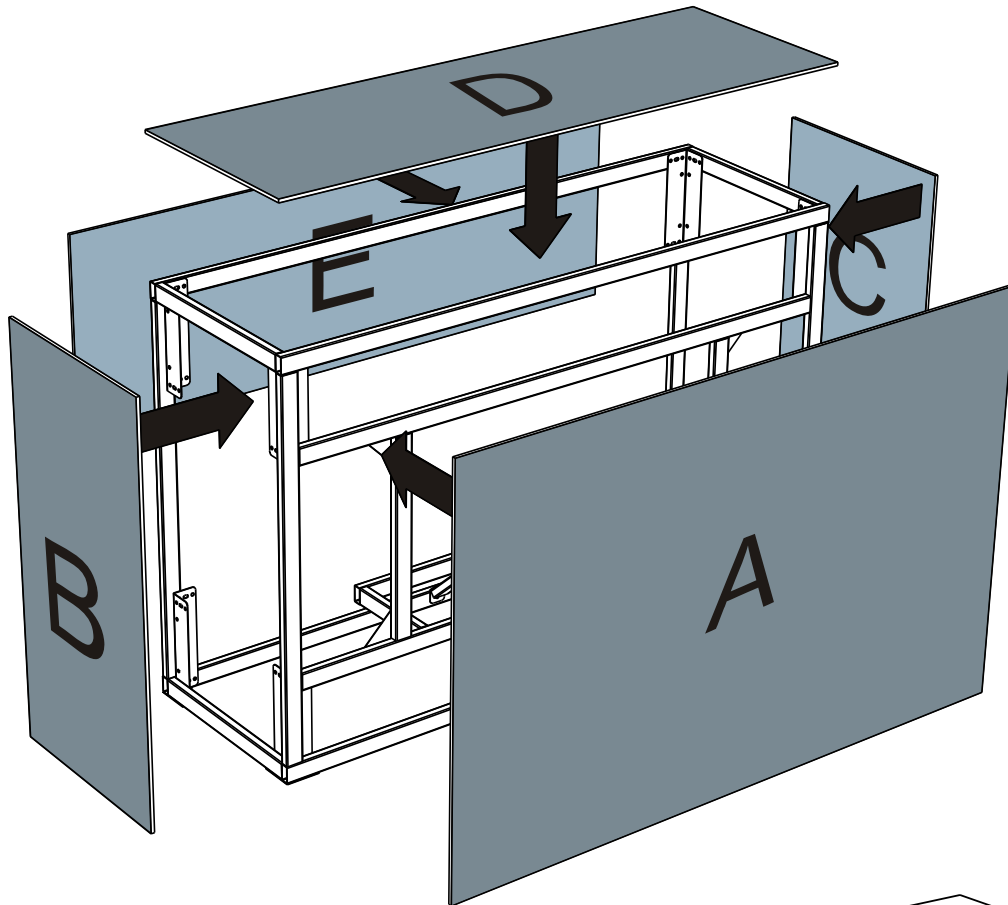
If you are using fibre cement board, plywood or similar full sized sheets as the initial cladding, they can be cut quite economically to suit the Kitset Enclosure (Kitset Wall Unit). The first sheet should be cut into two pieces as illustrated below:



The second sheet should be cut into three pieces as illustrated below:



These panels can then be attached, using suitable adhesive or mechanical fastenings, to the assembled unit as illustrated below:



Note that panel 'E' is optional, particularly if the rear of the Kitset Enclosure (Kitset Wall Unit) is backing against a wall or similar structure.

If it is desired that the Kitset Enclosure (Kitset Wall Unit) is to be fully enclosed, then a third sheet will be required in order to cut another panel 'E', or another panel 'A'.

Escea recommends that the hole in the front panel 'A' be **marked out and cut after it is fixed to the unit** to ensure it is in the correct place. Check that the fireplace fits before finishing the veneer. Install the EF5000 Outdoor Fireplace according to the installation instructions that came with it.

