

# ST900 Direct Vent Gas Fireplace

Information Sheet for Builders and Architects

escea.

## Creating the Cavity:

The dimensioned drawing below shows the minimum allowable cavity size that should be created. Normal dry wall cladding is suitable for facing wall surfaces, the framing can be constructed from timber.

## Flueing:

Flueing consists of 5" x 8" Simpson Duravent Direct Vent Pro system, or approved compatible equivalent. For full details relating to flueing design options please consult the Installation Manual, available from [www.escea.net](http://www.escea.net).

30° flue elbow used in most flue configurations is available from Simpson as part number 58-DVA-E30



## Fascia Options:

Stainless Steel, or Powder Coated (Satin Black, Suede Cream, Florentine Bronze)

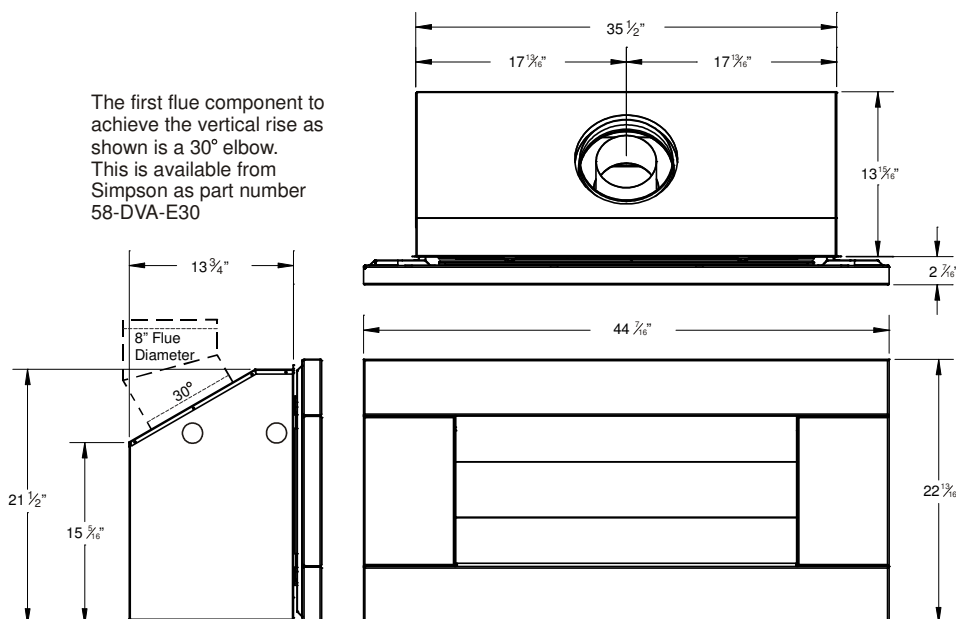
## Fuel Bed Options:

White coals, black coals, or driftwood log set with pebbles.

## Gas Specifications:

Gas Input	= 19,500 BTU/h max on NG, and 16,000 BTU/h max on Propane
Gas Connection	= Front LH bottom corner of heater
Gas	= Comes set for NG with Propane conversion kit supplied with each product
Operating Pressure	= 4.0"WC NG / 9.4" WC Propane
Min. Inlet Gas Pressure	= 5.5"WC NG / 11" WC Propane
Power Requirement	= 3x D cell batteries

## Product Dimensions: (mm)



## Minimum Cavity size:

W	H	D
35 <sup>13</sup> / <sub>16</sub> "	21 <sup>15</sup> / <sub>16</sub> "	15"

Top of cavity **MUST** be open to the ceiling space.

