

User Guide - Australia and New Zealand

EF 5000
Outdoor Gas Fireplace

WARNING

Any service work carried out on this appliance must only be done by a recognised Escea technician or authorised personnel.

The data label for this appliance, containing technical information and specifications, can be found to the right of the control tray near the base of the fire. To access this, the fascia must be removed.

DO NOT PLACE ARTICLES ON OR AGAINST THIS APPLIANCE.

DO NOT USE OR STORE FLAMMABLE MATERIALS NEAR THIS APPLIANCE.

DO NOT SPRAY AEROSOLS IN THE VICINITY OF THIS APPLIANCE WHILST IN OPERATION.

IT IS NOT RECOMMENDED TO OPERATE THE FIRE WITH THE FASCIA PANELS REMOVED.

THE APPLIANCE MUST BE INSPECTED BEFORE USE AND SERVICED AT LEAST ANNUALLY BY AN AUTHORISED TECHNICIAN.

THIS APPLIANCE MUST BE INSTALLED IN ACCORDANCE WITH THE MANUFACTURER'S WRITTEN INSTRUCTIONS.

THIS APPLIANCE IS NOT INTENDED FOR USE BY YOUNG CHILDREN OR INFIRM PERSONS UNLESS THEY HAVE BEEN ADEQUATELY SUPERVISED BY A RESPONSIBLE PERSON TO ENSURE THAT THEY CAN USE THE APPLIANCE SAFELY.

YOUNG CHILDREN SHOULD BE SUPERVISED TO ENSURE THAT THEY DO NOT PLAY WITH THE APPLIANCE.

Manufactured by: **Escea NZ Ltd**
17 Carnforth st, PO Box 5277
Dunedin, New Zealand
Email: info@escea.co.nz
Web: www.escea.co.nz
Phone: +64 3 478 8220



Distributed in Australia by: **Escea Australia PTY LTD**
P.O. Box 176
Pennant Hills, Sydney,
NSW 1715
Phone: 1800 460 832
Web: www.escea.com.au

Distributed in Western
Australia by: **Escea Australia PTY LTD**
P.O. Box 176
Scarborough, Perth,
WA 6019
Phone: 1800 730 140
Web: www.escea.com.au

Contents

1	Basic Operation	04
	Ignition	04
	Turning Off the Fire	04
2	Using the Weather Cover	05
3	Removing the Fascia	06
4	Cleaning your EF5000	07
	Glass and River Rocks	07
	Weather Cover	07
	Ceramic Stones and Burners	07
	Fascia	07
5	Sound and Smell	08
	Sounds	08
	Smells	08

1. Basic Operation

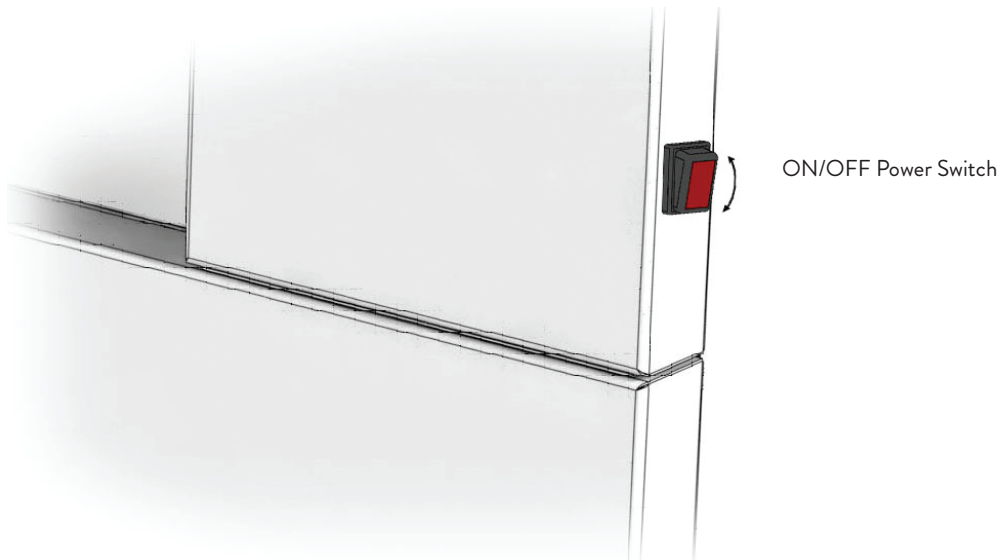
The EF5000 is an outdoor gas fire that is designed to be operated in a well ventilated area.

Warning: Under no circumstances should anything be closer than 1 meter in front of the EF5000, including: people, pets, or furniture.

Warning: Do not install a TV above the fire under any circumstances.

The EF5000 is operated by the ON/OFF switch, located on the right hand side outer edge of the fascia.

Before operating the fire, ensure that the power transformer is plugged into the mains wall socket and is turned on. Also ensure that the gas supply is turned on.



– Ignition

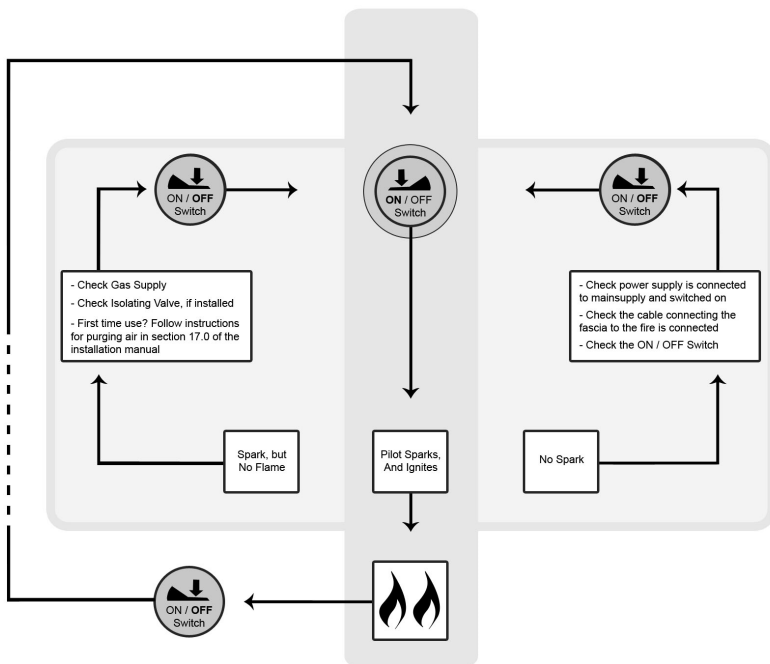
To turn the fire on, push the ON/OFF rocker switch to the on position. The ignition unit will start sparking. The pilot and burners will ignite almost immediately.

In the event of no gas, the ignition unit will attempt to light up to 3 times before shutting down.

– Turning Off the Fire

To turn the fire off, simply flick the ON/OFF rocker switch to the off position. This will shut down the gas flow to the pilot flame and both burners.

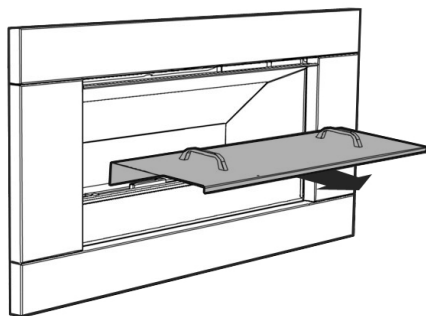
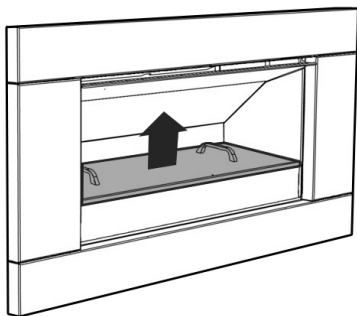
Please ensure that the gas supply is also turned off and, as an extra precaution, please turn off the main power supply at the house.



2. Using the Weather Cover

If desired, an optional weather cover can be purchased from your Escea retailer, which protects the fuelbed and burners. This should only be placed while the fire is not in use.

To fit the weather cover, ensure that the fire is off and cooled. Place the front edge on the glass at the front of the fire; the rear flange of the weather cover will rest on the burner supports behind the rear burner. To remove the weather cover, lift it upwards and away from the fire.

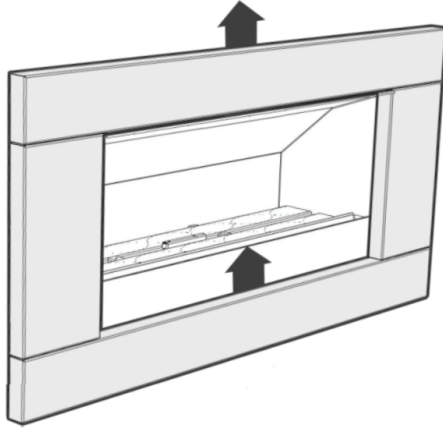


Warning: The fire **MUST NOT** be operated while the cover is fitted.

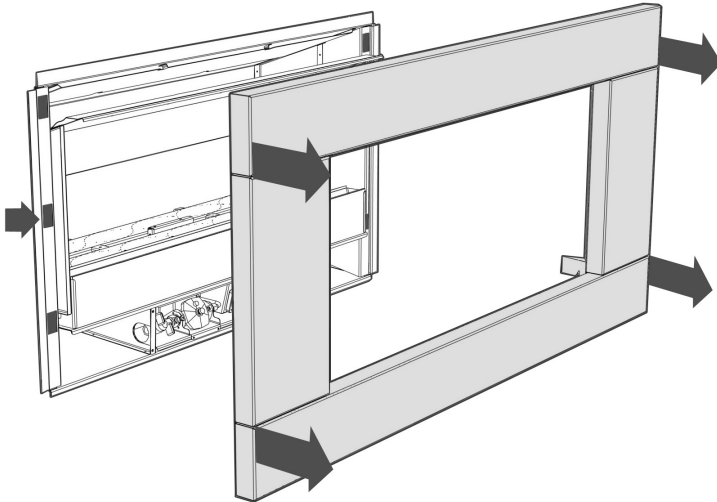
Warning: The cover **MUST NOT** be fitted while the fire is hot. A cooling period of 30 minutes must be observed before fitting.

3. Removing the Fascia

The EF5000 Stainless Steel fascia is attached to the fire by four hooks on the corners of the fascia. If you need to remove the fascia, lift the fascia upwards, as shown.



Now slide the fascia towards you until it falls into the additional slot and unplug the electrical cord. Now you can rest the fascia on the ground.



Reverse these steps to re-fit the fascia, ensuring the two connections are correctly plugged in by testing the fire.

4. Cleaning your EF5000

NOTE: Always ensure the fireplace is cold before starting any cleaning or maintenance.

– Glass and River Rocks

To clean the glass and stones in the front stone tray, remove the stones from inside the tray. The glass will then be free to slide upwards.

The glass can be cleaned using standard window cleaner. The quartz river stones can be washed using soapy water.

– Weather Cover

To clean the weather cover, use warm soapy water and a clean cloth.

– Ceramic Stones and Burners

Cleaning of the ceramic stones and the burners can be carried out using a brush and a dry cloth.

– Fascia

The fascia is the visible surround of your Escea gas fireplace and must be treated carefully to prevent unsightly marks from tarnishing the visual quality of the product. Some marking over time is inevitable, however, so the following directions will assist you in getting the maximum enjoyment from your Escea gas fireplace.

The outside of an Escea Fascia must only be cleaned with a soft microfibre cloth. If heavier cleaning is required for the likes of grease or stubborn fingerprint removal we recommend the use of a dedicated stainless steel cleaner for stainless steel fascias or warm soapy water for powder coated fascias.

NEVER RUB THE FASCIA.

For Stainless Steel Fascias:

1. Ensure that the gas fireplace is off and that the fascia is cold to the touch.
2. Using a stainless steel cleaner and a clean cloth, apply a small amount of cleaner to the cloth and wipe the fascia with even, straight strokes.
3. Make sure your strokes follow the direction of the grain or brush finish. Wiping across the grain can leave small scratches.
4. The cleaner will leave a very fine film over the fascia, ensure this film is distributed evenly.
5. If the cleaner is applied too heavily and is quite visible, you can remove the excess by gently wiping dry with a microfibre cloth. Ensure your strokes still follow the direction of the grain or brush finish.
6. Ensure that no film is applied to the glass of your Escea Gas Fireplace. If applied accidentally, wipe off with an absorbent microfibre cloth.

For Powder Coated Fascias:

1. Ensure that the gas fireplace is off and that the fascia is cold to the touch.
2. Gently clean the fascia with a cloth and warm soapy water.
3. Wipe off with an absorbent microfibre cloth.

5. Sound and Smell

– Sounds

It is possible that you will hear some sounds from your gas appliance. This is perfectly normal due to the fact that various types of materials are used within your appliance. Listed below are some examples. These are all normal operating sounds and should not be considered as defects in your appliance.

Gas Control Valve

As the gas control valves turn ON and OFF, a dull clicking sound may be audible. This is the normal operation of a valve. When the fire is switched off after being run for a while, there may be popping and fluttering noises as the residual gas in the burners burns away. These are normal and are no cause for concern.

Unit Body/Firebox

Different types and thicknesses of steel will expand and contract at different rates resulting in some “cracking” and “ticking” sounds being heard throughout the heating and cool down processes.

– Smells

The first few times the unit is operated, the unit may release an odour and the flames will appear orange due to: the curing of the paint, the burning off of the starch in the gas logs, and the oils in the metal. This is a temporary curing process which will disappear with use.

The products of combustion are vented out the front of the fire. When installed in a well-ventilated outdoor space it is rare to smell these products, however, it is possible.

