

escea.

Installation Guide

EW5000
Outdoor Wood Fireplace

IMPORTANT: Please read this manual before installing and using the Escea EW5000 Cooking fire. Failure to follow these instructions may lead to fire damage and/or may void any warranties.

Safety

- **THIS APPLIANCE MUST NEVER BE SPECIFIED OR INSTALLED INTO THE ENVELOPE OF A BUILDING.**
- A lit fire must never be left unattended.
- The fireplace must only be used for heating and cooking as intended.
- Maintain and operate the fireplace in accordance with these instructions.
- Do not use flammable liquids or aerosols to start or rekindle a fire.
- Do not place any combustibles in front of the fire as some firewood may spit sparks.
- Do not touch the surfaces as they can be very hot, even after the fire has burnt out.
- Ensure correct installation as per these instructions.
- Do not modify the firebox and use only an ESCEA fascia.
- Do not operate the fire without the flue system.
- Young children should be carefully supervised when they are in the same area as the cooking fire.
- Toddlers, young children, and others may be susceptible to accidental contact burns and must not operate the cooking fire. A physical barrier is recommended if there are “at risk” individuals in the vicinity. To restrict access to a fireplace or stove, install an adjustable safety gate to keep toddlers, young children, and other “at risk” individuals out of the area and away from hot surfaces.
- Take care when installing to prevent injury, as this product is heavy.

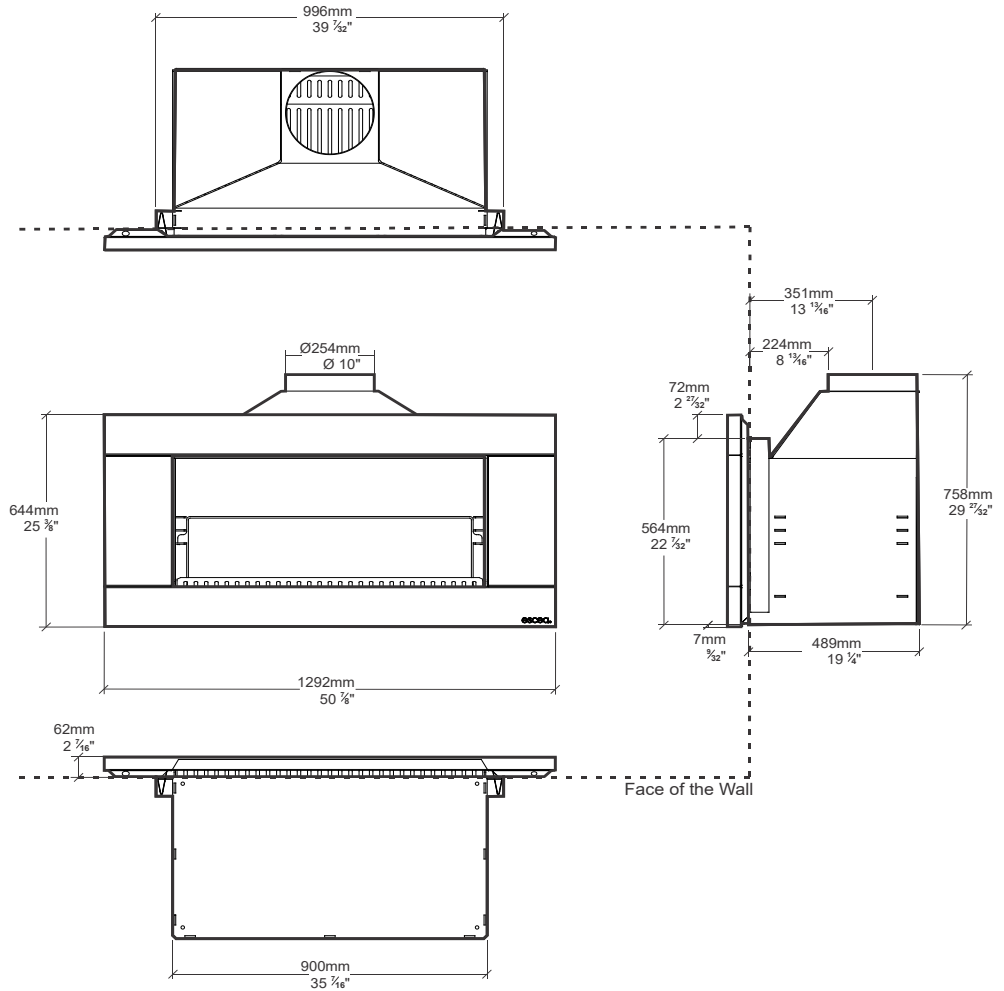
1 Product Description:

The ESCEA EW5000 Wood Burning Cooking Fire is designed for outdoor use only. The fire is designed to burn wood and charcoal only. This appliance requires a flue and must be installed into a non-combustible cavity.

The serial number can be found in the lower left of the fire underneath the receptacle for the fascia hooks; to access this the fascia must be removed as detailed in section 9.1 of this manual.

Retain this manual for future reference.

2 Product Dimensions



3 Installation

The ESCEA EW5000 is for outdoor use only. Always check with your local city council for additional restrictions prior to installation. Consider the topography of the land and the prevailing wind to ensure optimal performance before installation. Care also needs to be taken to ensure your fireplace will not cause any nuisance to your neighbours from smoke, ash, or smells.

ALWAYS ENSURE THAT THIS PRODUCT IS INSTALLED TO COMPLY WITH ALL LOCAL AND NATIONAL BUILDING CODES

- 3.1 The ESCEA EW5000 firebox and the flue system **must be installed into a fully non-combustible fireplace construction on all surfaces (e.g. top/bottom/sides/back) surrounding the fireplace and flue.** Example materials that can be used include: solid concrete, concrete/masonry blocks, bricks, or Hebel blocks/panels. Do not use timber framing. Escea has designed a Kitset Enclosure. This is available on request.
- 3.2 Be careful to position the firebox so the bottom lines up with your wall. If the wall lines up with the top or sides, the fascia will not fit on. Use the provided holes in the base to fix the firebox firmly down.
- There are an additional 2 holes in the bottom corners of the rear panel. If these are not utilised as fixing holes, they should be 'blanked off' with a suitably sized nut and bolt (not supplied).
- 3.3 Depending on material choice, some heat may be conducted through the surrounding cavity and consequently no combustible materials should come into contact with these hot surfaces. This is completely dependant on the chosen material and design of installation. The user should satisfy themselves that the installation is fit for purpose and complies with all local and national codes.

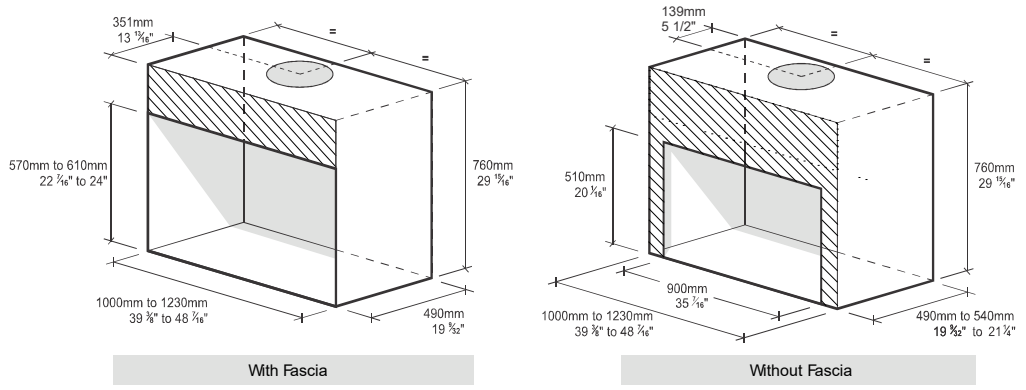
4 Cavity Size

A minimum cavity size of W1000 x D490 x H760 mm (W 39 3/8" x D 19 9/32" x H 29 1/16") is needed. This is a minimum and where possible, it is recommended that the cavity is made slightly larger than the above dimensions to give the installer the maximum amount of space to work in.

For installations with a fascia: The opening of the cavity must be at minimum W1000 x H570mm (W39 3/8" x H22 7/16") and at maximum W1230 x H610mm (W48 7/16" x H24") in order for the fascia to cover the opening.

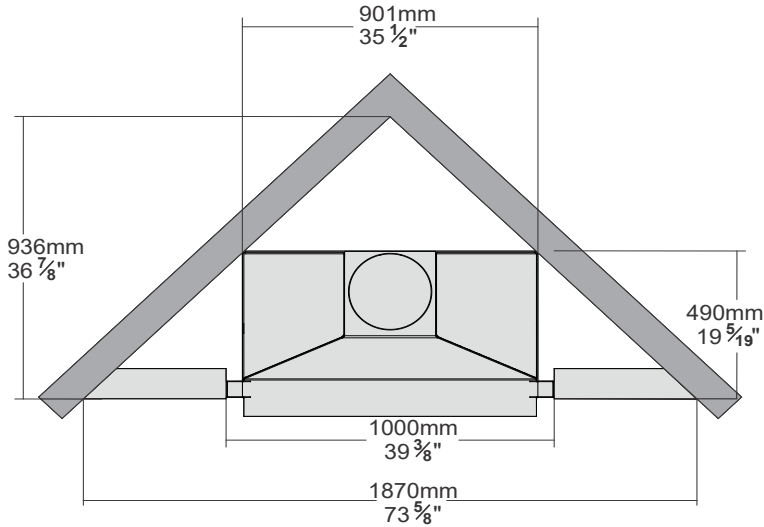
For installations without a fascia: The opening of the cavity must be W900 x H510mm (W35 7/16" x H20 1/16").

NOTE: The firebox does not slide in through this opening and has to be installed before the bricklaying or wall lining (hatched area shown below) is finished.



5 Corner Installation

All dimensions are a minimum. All walls surrounding the firebox must be non-combustible.



6 Clearance

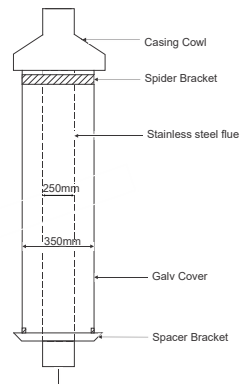
Any combustibles in front of the fireplace need to be no less than 3 meters (9 7/8 ft) from the opening of the fire and 500 mm (19 3/4") to each side. Also check with your city council (municipal authority) for local restrictions.

Warning: Do not install a TV above this fire under any circumstances.

7 Flue System

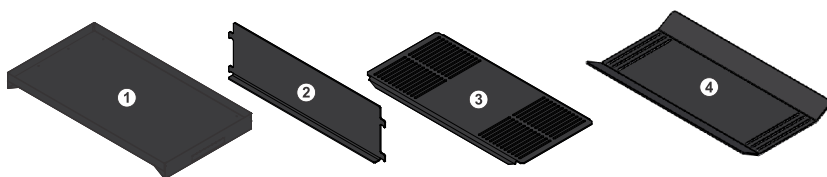
The flue system requires the use of 350mm (13.7795") GALV outer casing, a 250mm inner casing, and a stainless steel cowl. It is recommended to use a minimum of 2.4 meters (11 3/4 ft.) of flue to create adequate draw and reduce the amount of smoke spillage out the front of the fireplace.

Shorter flue lengths are possible but may result in smoke spillage and possible smoke damage to the fascia and/or wall. Flue clearances must adhere to local codes. Flue parts can be provided by ESCEA at your local ESCEA retailer/supplier.

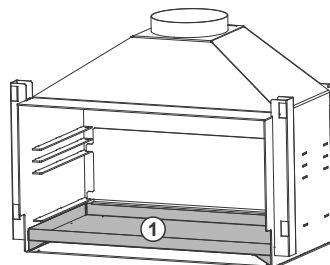


Placement of Interior Parts

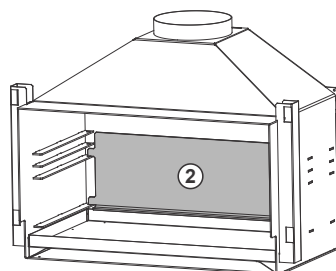
- 7.1 First, remove the following parts that are secured inside the firebox for transit; remove and discard all protective packaging including the white plastic end caps.



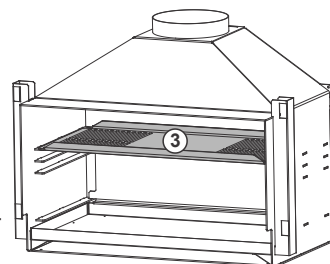
- 7.2 Insert the **Ash Pan (1)** into the base of the fire as shown.



- 7.3 Insert the **Rear Heat Deflector (2)** into the fire as shown with the flange at the bottom facing forwards. The rear heat deflector fits in place by sitting inside the slots on the grate support brackets, which run along the side of the firebox.



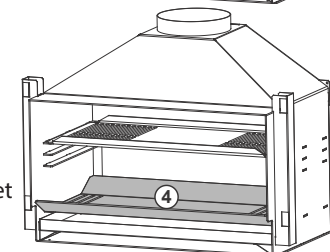
- 7.4 For cooking, the **Cooking Surface (3)** can be placed on any of the three highest supports, depending of which height is desired. If not desired or when not in use, the cooking surface can be stored underneath the ash pan (bottom).



- 7.5 The cooking surface must be run on the fire for at least 1 hour prior to use to burn off any residual oils.

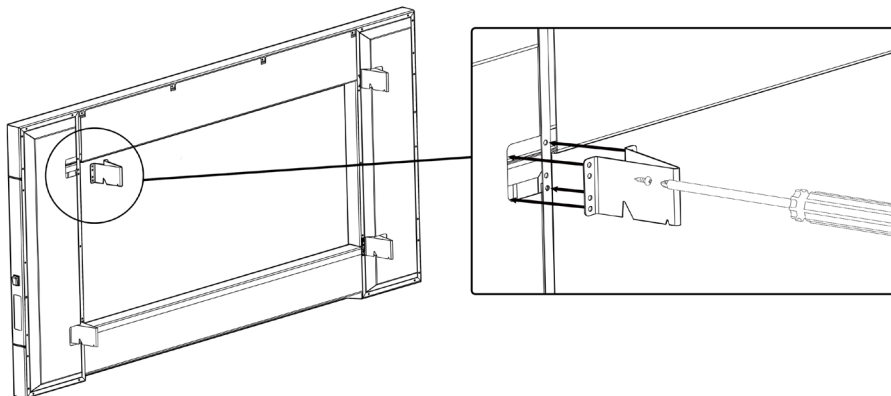
- 7.6 It is advisable that when not in use the cooking surface is covered in a layer of cooking oil to prevent corrosion.

- 7.7 Finally insert the **Grate (4)** on the lowest grate support bracket as shown, with the flanges facing upwards.



8 Fitting the Fascia

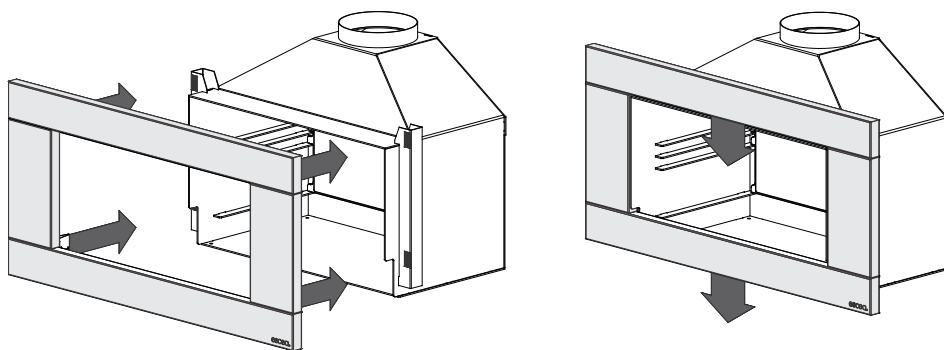
- 8.1 If present, remove all protective film and packaging on the fascia before proceeding with install. Do not operate the fire with any protective film in place.



Before fitting the fascia, the hooks must be attached using the screws supplied. The ESCEA EW5000 fascia is attached to the firebox by four 'hooks' on the corners of the fascia.

Line up the hooks with the receptacles on the wood burner pictured below and push the fascia into position. The first slot in the hook can be used to hang the fascia in the receptacles to ease the attachment.

- 8.2 When you have pushed the fascia in as far as it will go, briefly push down on the fascia to secure the fascia into position.



- 8.3 To remove the fascia, simply reverse the operation.

9 Operating Instructions

The first fire may produce odors from the paint. If possible, light and maintain a small fire for a couple of hours; this will allow the paint to cure better.

Always use paper, firelighters, or finely split dry soft wood kindling to start a fire. Never use flammable liquid or aerosols. Do not burn treated or painted wood, plywood, MDF, particleboard, household rubbish, garden waste, plastics, waste oils, paint, construction or demolition waste must. Some kinds of preservative-treated wood can be hazardous. It is recommended to use dry wood or charcoal only.

Always be careful not to overload the fire as this can result in over firing and logs falling out the front and cause a fire hazard.

If you need to extinguish a fire quickly, smother it with loose soil or sand. Avoid using water, except in emergencies, as this may lead to the development of rust if not dried completely. Never leave a lit fire unattended.

Do not place the baking plate directly over flames. Wait until the fire has burnt down to embers or use charcoal.

10 Maintenance

The ash pan should be removed and cleaned out before it is completely full. To get access to the ash pan, first remove the fascia (see correct operation). Ensure the pan and ashes are cool before handling.

It is very important that the flue is swept and cleaned for soot to reduce the risk of a chimney fire and to ensure the performance of the fireplace. This should be done at least once a year, as soot can build up quickly. Cold climate or burning of green or wet timber can increase soot buildup.

To keep the fire clean, sweep the firebox with a soft cloth when the firebox is cool. Never try to clean the firebox or fascia when they are hot. Cleaning the firebox at the end of the season and spraying with high temperature Stove bright paint will extend the life of your firebox. Ensure all surfaces are perfectly cleaned before applying paint.

11 Cleaning the Fascia

The fascia must be cold before starting any form of cleaning.

For cleaning a stainless steel fascia, 3M Stainless steel cleaner or a clean cloth with methylated spirits are recommended.

The fascia may discolour after use. A gentle wipe with soapy water and a soft cloth should remedy this and is recommended after every use.