

DF990

Information Sheet for Builders and Architects

FIRE BY **escea.**



For further information or specifications, visit the technical section of our website www.escea.com to view the latest product Installation Manual.

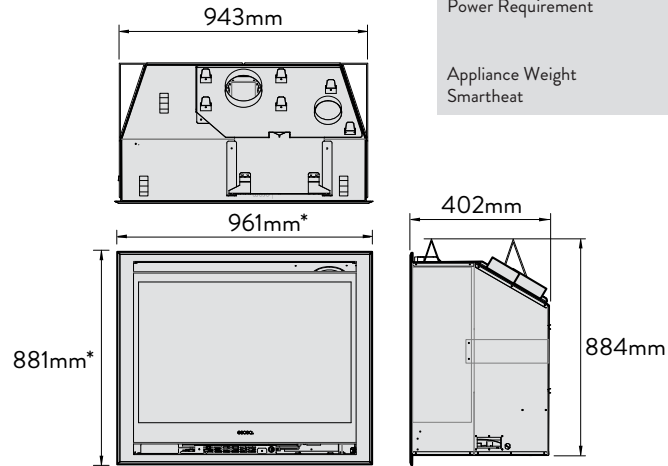
Appliance Information

Specifications

Heat Output	8.2 kW
Star Rating	4.9 Stars
Gas Input / Consumption	30 - 35 MJ/hr
Gas Connection	Rear right or front right, 1/2" BSP female thread
Gas Type	Natural Gas / ULPG (NZ) / Propane (Aus)
Power Requirement	3 pin earthed 230V power outlet to be within 1.0m of right side of the appliance.
Appliance Weight	90kg
Smearheat	Yes, ethernet connection required

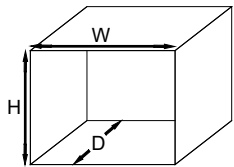
Product Dimensions

All outside dimensions taken from the appliance are with the standoffs attached.



Cavity Shape

The standoff rails installed on the outside must only be removed when being installed into a masonry cavity.



		Height	Width	Depth
False Cavity installation (timber standoffs must be adjusted to the upright position when framing)	Framing	888mm	945mm	405mm + minimum 65mm flue clearances
	Wall Lining	848mm + allowance for fascia clearance		
*Masonry install with side standoffs & timber standoffs removed.		848mm + allowance for fascia clearance	935mm	400mm

NOTE: A top is not required when creating the cavity.

NOTE: Measure the indicated framing dimensions from the base of the appliance.

*NOTE: Installation into masonry, brick, and other cavities is possible. Please contact architectural advisory aa@escea.com for more information.

Cavity Construction

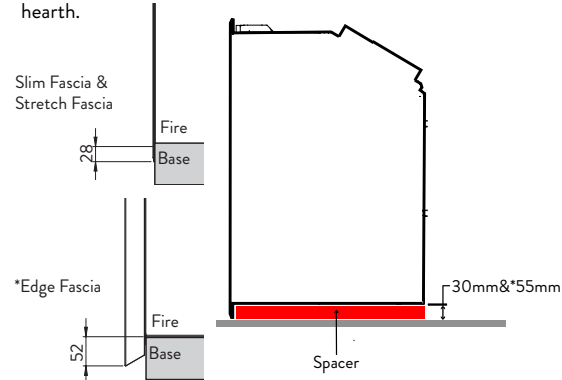
Cavity Base

This appliance MUST be fully supported on a continuous base (product weight: 120kg). The base must be levelled to prevent vibration from possible fan imbalance.

The fireplace must be seismically restrained in a manner appropriate to the installation location and accessible once the secondary glass is removed.

Fascia Base Clearance

It requires a spacer below the appliance to allow room for the fascia to sit flush with the non combustible floor or a hearth.



Floor and Hearth Clearances

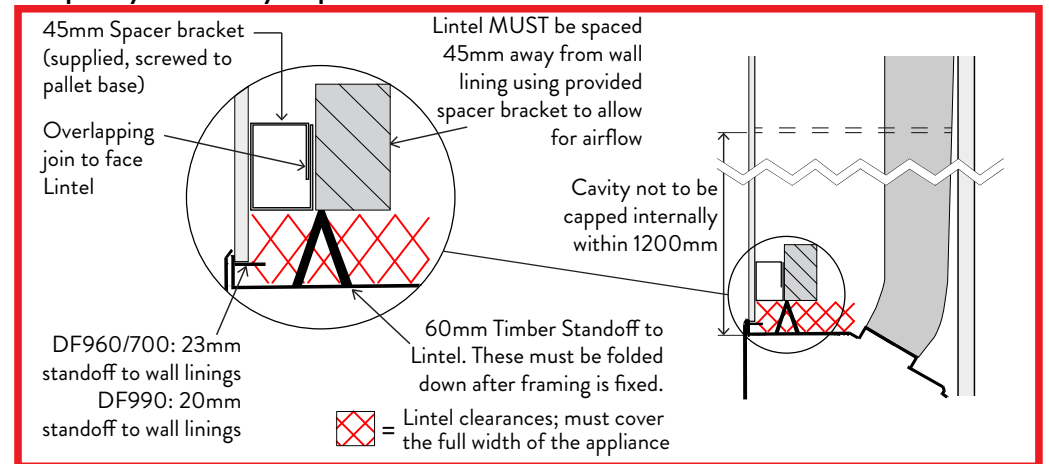
If the appliance is mounted above a "heat resistant floor" (including but not necessarily limited to: ceramic tiles, concrete, and stone) then it may be positioned with the bottom of the fascia level with the finished floor if desired. (30mm or 55mm spacer required under the fire in this case depending on the fascia type.)

If the appliance is mounted above a "heat sensitive floor" (including but not necessarily limited to: carpets, vinyl, carpet tiles, rugs and mats, timber, joinery, wooden flooring - see materials guide), then we recommend a distance of 100mm from the bottom of the fascia to the finished floor or hearth.

A finished floor level hearth is not required, however it may be used for decorative purposes or for protection of soft/ heat sensitive flooring as stated in the section above to allow a smaller floor clearance. The hearth should not obscure the front face of the fire, must protrude at least 200mm from the face of the fireplace and be at least the width of the appliance.

A raised hearth or joinery should conform to the above guideline.

Compulsory False Cavity Requirements



***WARNING:** The top standoffs must be adjusted to the upright position before the fireplace installation. All standoffs must remain in place for fireplace installation and then folded down once framing is fixed.

NOTE: Wall lining MUST NOT be installed until after the fireplace is inserted into the cavity.

NOTE: Wall lining should hang below the lintel to meet the appliance edge.

NOTE: If cavity dimensions significantly exceed those specified, a register plate is available for purchase through your local Escea retailer (New Zealand Only).

Flue Information

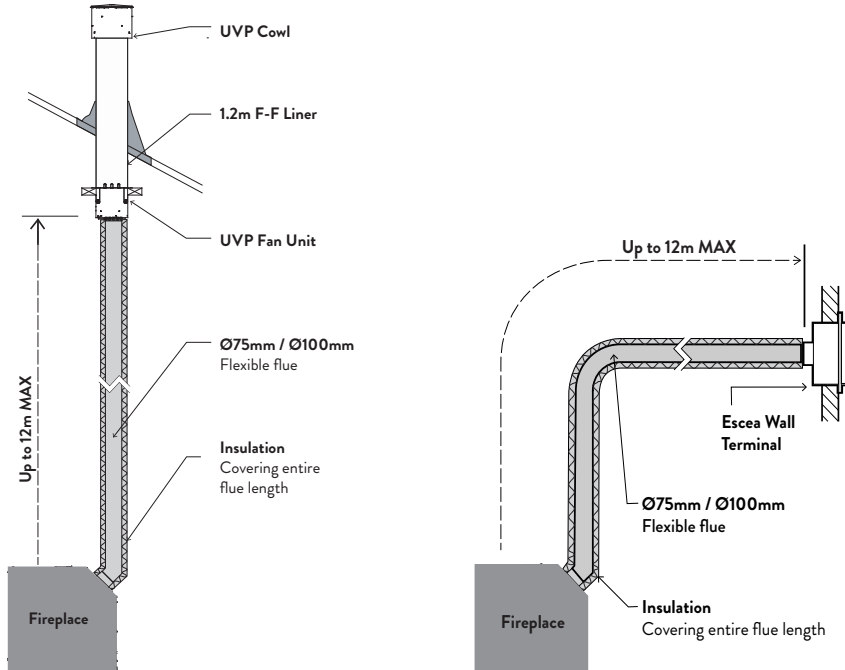
Flue Configurations

If your flue system is less than 4m long:

- A simple aluminium flexible flue is required **without insulation** (see diagrams below).

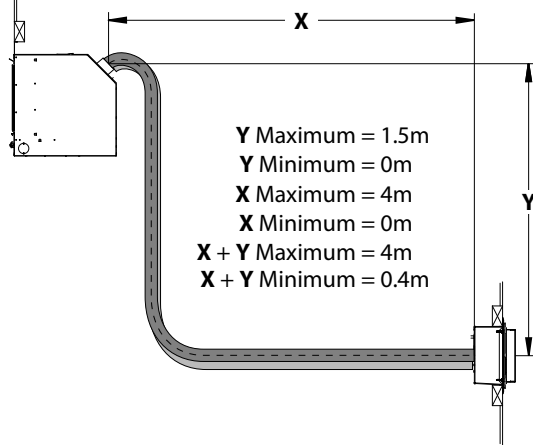
If your flue system is greater than 4m long (as shown in diagrams below), then there are the following options:

- For flue run installations beyond 4m and up to 12m, flexi flue must be used for the entire flue run and must be fully insulated from appliance connection to fan unit. Beyond 12m (up to 40m) please contact the Escea Advisory Team at aa@escea.com.



Vertically Terminated: utilises the Escea vertical power flue enclosure kit.

Horizontally Terminated: utilises the Escea horizontal power flue enclosure kit

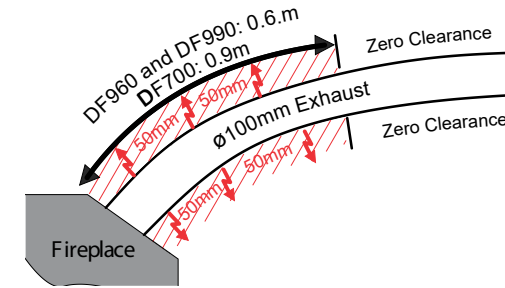


Horizontally Terminated Downwards Flueing: utilises the Escea horizontal power flue enclosure kit

Clearances

Chassis and Flue Clearance

A 50mm clearance must be maintained from the exhaust flue for the distances described below:

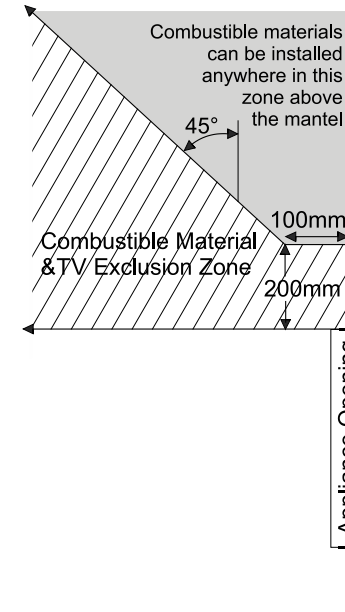


Television & Mantle Clearance

The diagram (shown below) shows the recommended minimum clearances for the location of any electrical equipment (such as Plasma TV, LCD TV or home theatre) above a DF-Series gas fire. A mantel/recess is required to comply with our recommendation of TV installation. Contact architectural advisory at aa@escea.com if you wish to install electrical equipment without a mantel/with a recess.

NOTE: Dimensions from the top edge of the air opening.

NOTE: The television clearance recommendations are to be treated as a suggestion of a suitable installation only. It is the responsibility of the end user to check the installation instructions of their electrical appliances to ensure that the location in relation to the gas fire is suitable. Escea in no way guarantees or takes responsibility that the recommended installation suggestion will be suitable for all electrical or home entertainment appliances.



For DF700 & DF960
the minimum height for TV
installation without a
mantel installed: 200mm

For DF990 a mantel is required