

# DN1150 Corner Gas Fireplace

Information Sheet for Builders and Architects

FIRE BY **escea.**

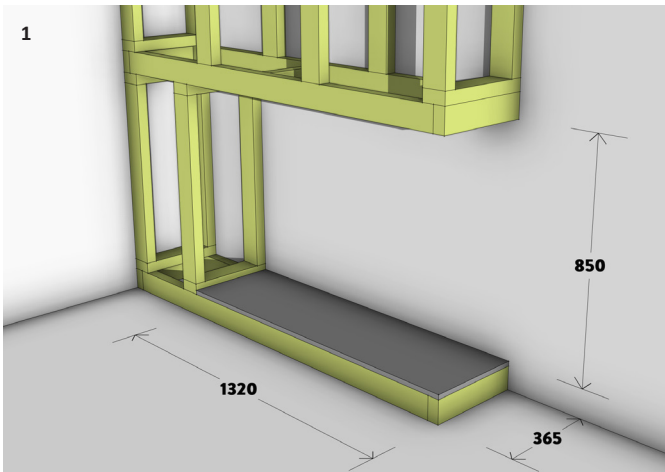
## SPECIFICATIONS

<b>Heat Output</b>	6.6kw
<b>Gas Input</b>	33 MJ/hr (NG) 33 MJ/hr (ULPG/Propane)
<b>Gas Connection</b>	Lower rear of fireplace - 1/2" BSPT Female
<b>Gas Type</b>	Natural Gas or Propane/ULPG
<b>Power Requirement</b>	3 pin, 230V AC mains power within 1m
<b>Operation</b>	Thermostatic IR remote control
<b>Appliance Weight</b>	140kg
<b>Connections</b>	Lower rear of fireplace
<b>Clearance to Combustibles</b>	Zero clearance from fireplace surfaces
<b>Service Access Hatch</b>	Not Required
<b>Cavity Wall Venting</b>	Not Required
<b>Certification</b>	Complies with AS/NZS 5263.1.3
<b>Flue System</b>	Power direct-vent with 100/75mm flexible and rigid PP flue pipes*

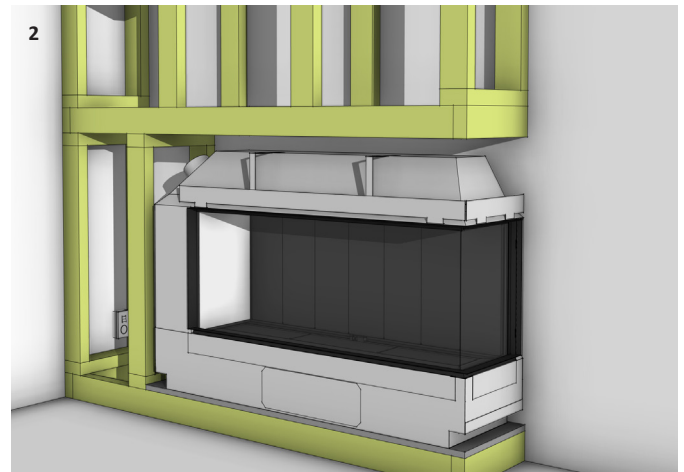


<b>Flue Termination Locations</b>	Roof or wall mounted terminations
<b>Minimum Flue Length</b>	400mm
<b>Max. Uninsulated Flexible Flue Length</b>	8m
<b>Max. Insulated Flexible Flue Length</b>	20m*
<b>Max. Flue Length</b>	40m*
<b>Flue Clearances to Combustibles</b>	50mm for the first 1.5m of flue run
<b>Flue Bends Allowed</b>	Max. 10 bends in any flue run

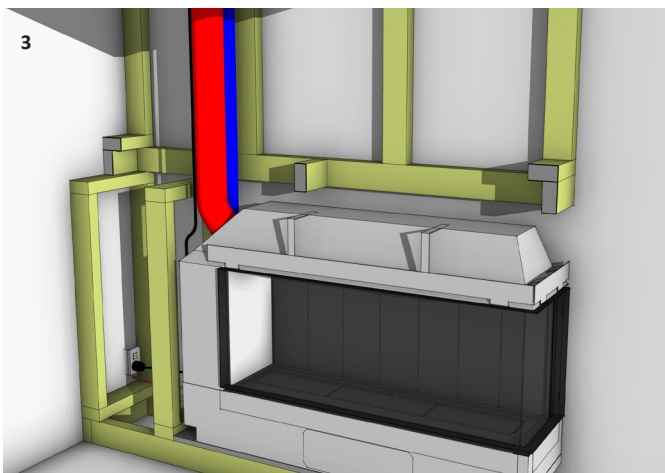
## CAVITY INSTALLATION OPTION



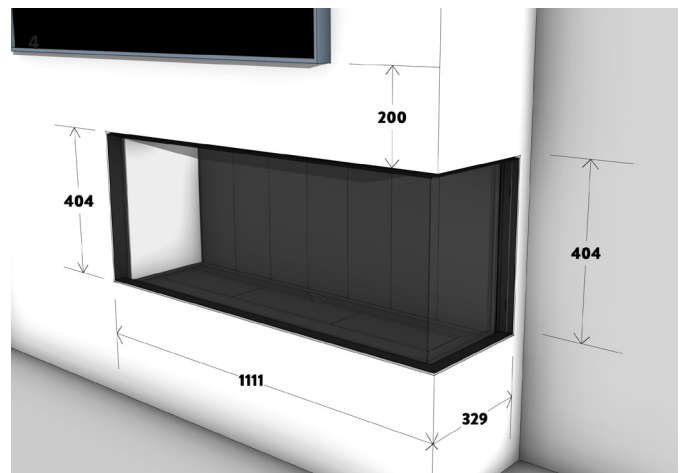
Build the chimney framework with consideration to flue pathways and meet the minimum fireplace opening requirements (850mm H x 1320mm W x 365mm D). Ensure a continuous base for the fireplace.



Install the appliance into the preformed cavity opening and secure it to the base. Ensure the fireplace is flush with the framework. Provide mains power connection and an accessible isolation switch.



Install electrical, network connections, and gas supply. Connect flue pipes to the fireplace and create the flue pathway to the terminal. Connect Powerflue electrical cable at both ends.



Attach wall linings to the framework and fireplace, maintaining a 3mm gap from the fireplace trim. Follow the provided wall lining cutout dimensions above for 13mm wall linings. Complete the project by adding additional finishes or fixtures.

\*Refer to the *Escea DN1150 Flue Selection Guide*

# DN1150 Corner Gas Fireplace

Information Sheet for Builders and Architects

FIRE BY **escea.**

## CAVITY OPTIONS

**Please Note: the DN1150 Gas fireplace is non-load-bearing, make sure to provide sufficient support for any framework or building components above it.**

The DN1150 Corner gas fireplace is versatile for room installation in different configurations. It fits beneath counters or cabinetry with a capped framework at the minimum cavity height. The cavity can be made from various materials, both combustible and non-combustible. Extra heat protection might be necessary for recessing or joinery specifications.

*NOTE: Available as an accessory, the **Kitset Wall Unit (KWU)** can assist in installation of the DN1150 Corner and Peninsula models. This metal support structure simplifies setup and can hold up to 500kg of framework and cladding without transferring load to the fireplace.*

## FIREPLACE BASE

Install the fireplace on a minimum 12mm firm, continuous surface like a concrete floor, plywood, or compressed cement sheet. Avoid installing directly on carpet, rugs, or heat-sensitive floor finishes.

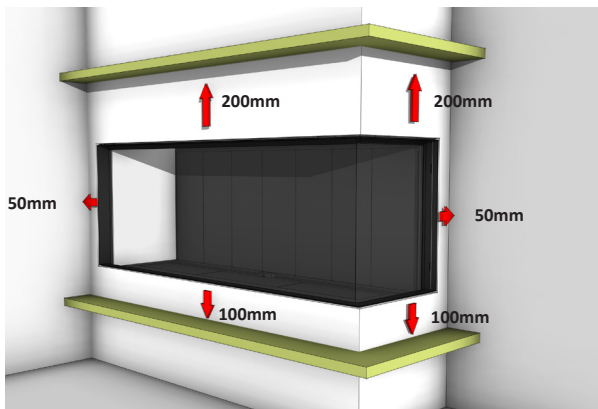
## TV CLEARANCE

When mounting a TV or electrical appliance above a fireplace, this can be completed surface-mounted or recessed. Ensure the TV's base is at least **200mm** above the glass viewing area. Note that TV clearance recommendations are suggestions only, and Escea is not responsible for their compatibility with all electrical appliances.

## FIREPLACE AND CAVITY DIMENSIONS

Fireplace Width (A) including 14mm finishing trim	1288mm
Fireplace Height (B)	795mm
Fireplace Depth (C) excluding 14mm finishing trim	378mm
Framed Cavity Opening Width min.	1320mm
Framed Cavity Opening Height min.	850mm
Framed Cavity Opening Depth min.	365mm

## FIREPLACE CLEARANCES



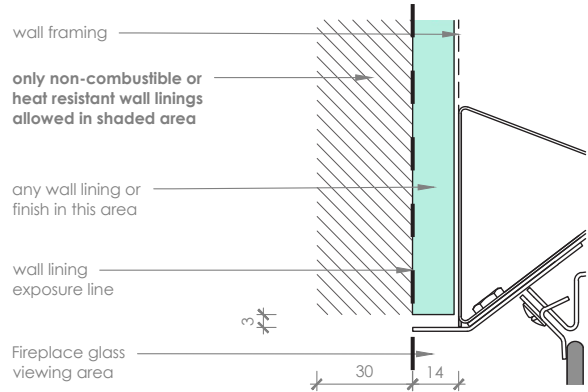
## FINISHES

Use **10mm to 20mm deep wall linings or finishes**, taking care to select materials suitable for the installation. Prevent combustible or heat sensitive wall linings from extending forward or beneath the 14mm fireplace trim.

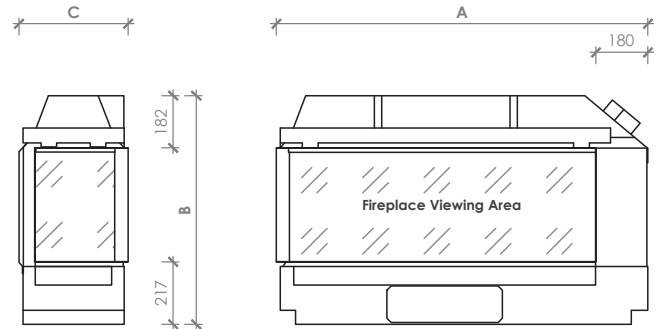
Maintain a 3mm gap (+/- 2mm) to the fireplace's finishing trim.

Replace the 14mm fireplace trim with the **22mm Extended Trim Kit** or a custom solution, for adequate heat protection. Prolonged heat exposure may damage the appearance or long-term performance of wall linings.

For specific finish details, refer to: [www.escea.com/fireplace-specification](http://www.escea.com/fireplace-specification)



\*This detail is applicable for all sides of the fireplace viewing area.



Ensure all clearances are met to any combustible or heat sensitive materials in front, above, to the side, or below the fireplace viewing area. Following these clearances, will allow the use of standard building materials, whether combustible or non-combustible. It is recommended to keep furnishings at least **1m** from the front of the fireplace.

Ensure that any combustible mantels or protruding ledges above the fireplace are positioned at least **200mm** above the viewing area. Mantel height depends on its depth; the greater the protrusion, the higher the clearance. For more details, check the *Escea DN1150 Corner Install Manual* at: [www.escea.com/fireplace-specifications](http://www.escea.com/fireplace-specifications)

A hearth is not necessary, but if used, a combustible hearth must be at least **100mm** below the glass viewing area or made entirely of non-combustible materials.



Install in accordance with AS/NZS 5601.1 and *DN1150 Corner Install Manual*.  
For Installation methods not covered in this document please contact:  
Email: [aa@escea.com](mailto:aa@escea.com) PH (NZ): 0800 17 3000 PH (AU): 1800 460 832

Install Manual and CAD files are available via the QR Code or link:  
[www.escea.com/technical](http://www.escea.com/technical)

### Disclaimer:

Dimensions provided are indicative and may not consider all site-specific variations or installation needs. Verify dimensions on-site before manufacturing or construction.