

SPECIFICATIONS

Flue System	Powered direct-vent, co-linear flue	Flue Pipe Sizes	100 and 75mm Ø (ID) flue pipes
Flue Termination Locations	Roof or wall mounted terminations	Flue Clearance to Combustibles	No clearance required
Minimum Flue Length	400mm	Flue Bends Allowed	Max. 10 bends in any flue run
Max. Uninsulated Flexible Flue Length	4m	Flue Insulation R-Value	N/A
Max. Insulated Flexible Flue Length	NIL	Flue Insulation Service Temp.	N/A
Max. Flue Length	12m	Powerflue Fan Electrical Supply	Supplied from Fireplace
Max. Vertical run below the Fireplace	1.5m		

TECHNICAL INFORMATION

All Escea Gas Fireplaces require Escea's **Powered Direct Vent flue** system, including a flue terminal, co-linear flexible flue pipes, and flue extensions as needed. The flue pathway runs from the fireplace to the powerflue terminal, either vertically, horizontally, or a mix of both, potentially passing through walls, floors, roofs, to the side or below the fireplace. The flue system starts with a **standard flue kit** and can be extended using **PolyPro flue extensions kits** up to 12m. Follow the table below.

INSTALLATION

- Flue terminal placement (wall/roof) must adhere to *AS/NZS 5601.1* and *DF Series Install Manual* clearances. These guide distances between the terminal and building components. Disregarding these may reduce fireplace/flue performance and jeopardise user safety.
- Flue fan must remain accessible for servicing.
- Where PolyPro Flue extensions are used, an exhaust pipe condensate trap is required. This must drain to the foul water/sewer system.

FLUE SELECTION STEPS

1 Flue Terminal

Choose the flue terminal location, on the wall or roof. This dictates the standard flue kit used.

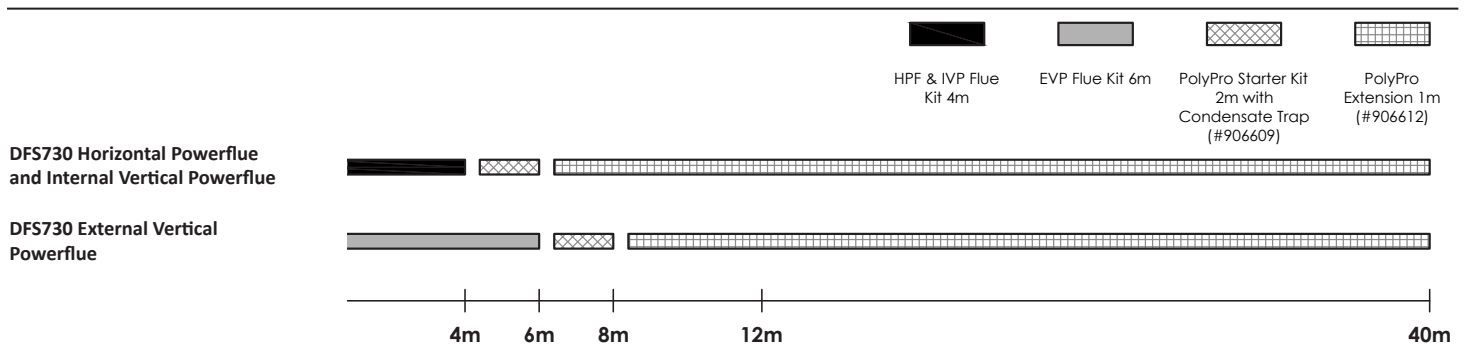
2 Flue Pathway

Establish a pathway from the fireplace to the flue terminal, calculating all vertical and horizontal runs.

3 Flue Pathway

Establish the method and components required to complete the flue system using the table below.

FLUE SELECTION TABLE



STANDARD FLUE KIT OPTIONS

Freestanding Horizontal Powerflue (#904657)

For flue terminations through an external wall.

Minimum wall cavity opening requirements:

With wall fixing brackets:

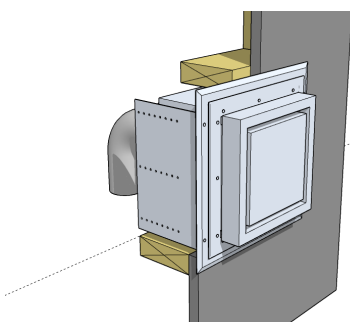
350mm W x 300mm H

Without wall fixing brackets:

296mm W x 296mm H

For dimensions and installation use the link below:

[Horizontal Powerflue Detail](#)



Freestanding External Vertical Powerflue (#906615)

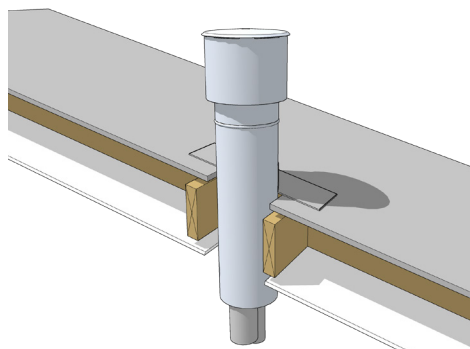
Used in situations where there is no roof space, or where servicing the flue fan is best undertaken from the roof or chimney top (preferred method).

Min. flue height above roof surface: **500mm**

Liner roof penetration: **225mm Ø**.

For dimensions and installation use the link below:

[External Vertical Powerflue Detail](#)



Freestanding Internal Vertical Powerflue (#906616)

Suitable for installations where the flue fan must be located in a roof space, or in exposed coastal locations.

Min. flue height above roof surface: **500mm**

Liner roof penetration: **225mm Ø**.

For dimensions and installation use the link below:

[Internal Vertical Powerflue Detail](#)

