

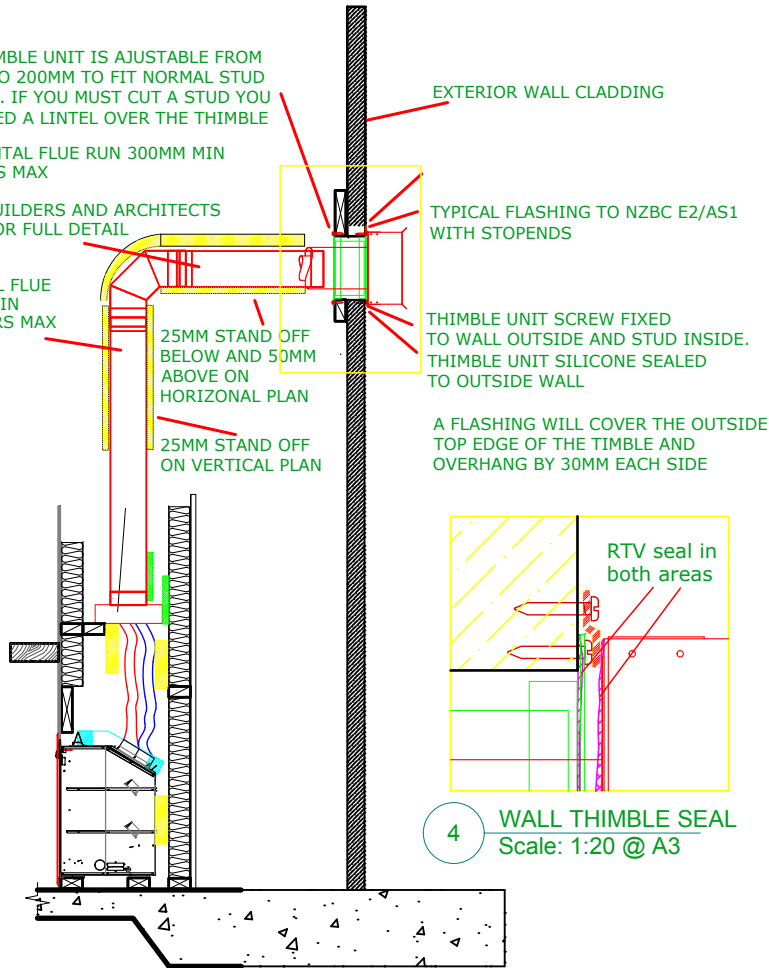
ESCEA AF SERIES : HORIZONTAL FLUE INSTALLATION

THE THIMBLE UNIT IS AJUSTABLE FROM 120MM TO 200MM TO FIT NORMAL STUD SPACING. IF YOU MUST CUT A STUD YOU WILL NEED A LINTEL OVER THE THIMBLE

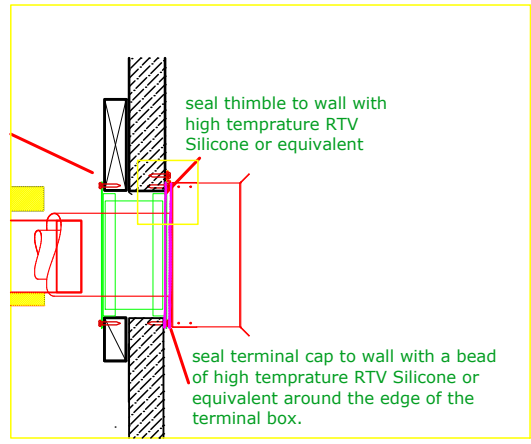
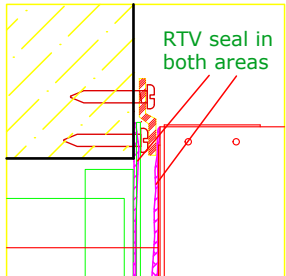
HORIZONTAL FLUE RUN 300MM MIN 9 METERS MAX

REFER BUILDERS AND ARCHITECTS SHEET FOR FULL DETAIL

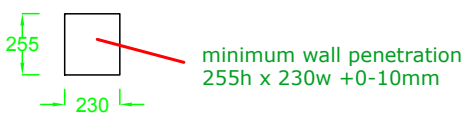
VERTICAL FLUE 800MM MIN 12 METERS MAX



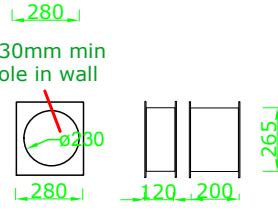
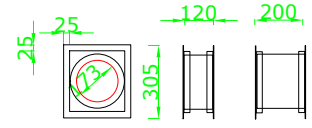
4 WALL THIMBLE SEAL Scale: 1:20 @ A3



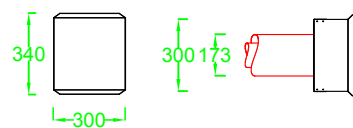
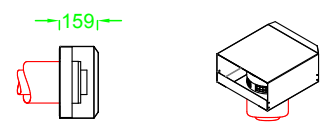
3 TERMINAL & THIMBLE INSTALLATION Scale: 1:20 @ A3



the thimble unit is ajustable from 120mm to 200mm to fit normal stud spacing. if you must cut a stud you will need a lintel over the thimble



5 WALL THIMBLE DETAIL Scale: 1:20 @ A3



6 FLUE TERMINAL Scale: 1:20 @ A3

1 HORIZONTAL FLUE Scale: 1:20 @ A3

combustible mantle clearances 100mm wide = 200mm above. 150mm wide = 300mm above.

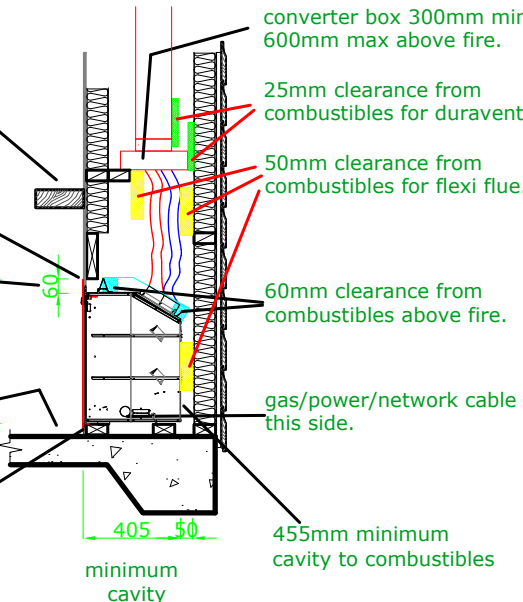
cladding to be installed after the fire is installed. max 19mm thick.

60mm gib over hang down to min fire cavity

minimum cavity 600

floor covering must tolerate ambient +65c. or fire mounted min 100mm above carpet etc.

30mm clearance below fire min for fascia over hang



2 AF CROSS SECTION Scale: 1:20 @ A3