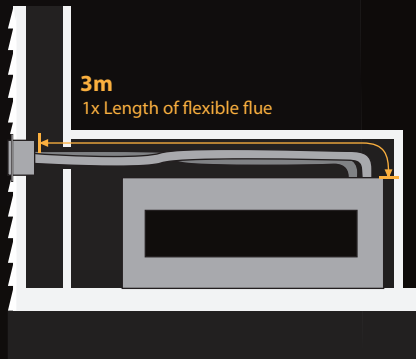


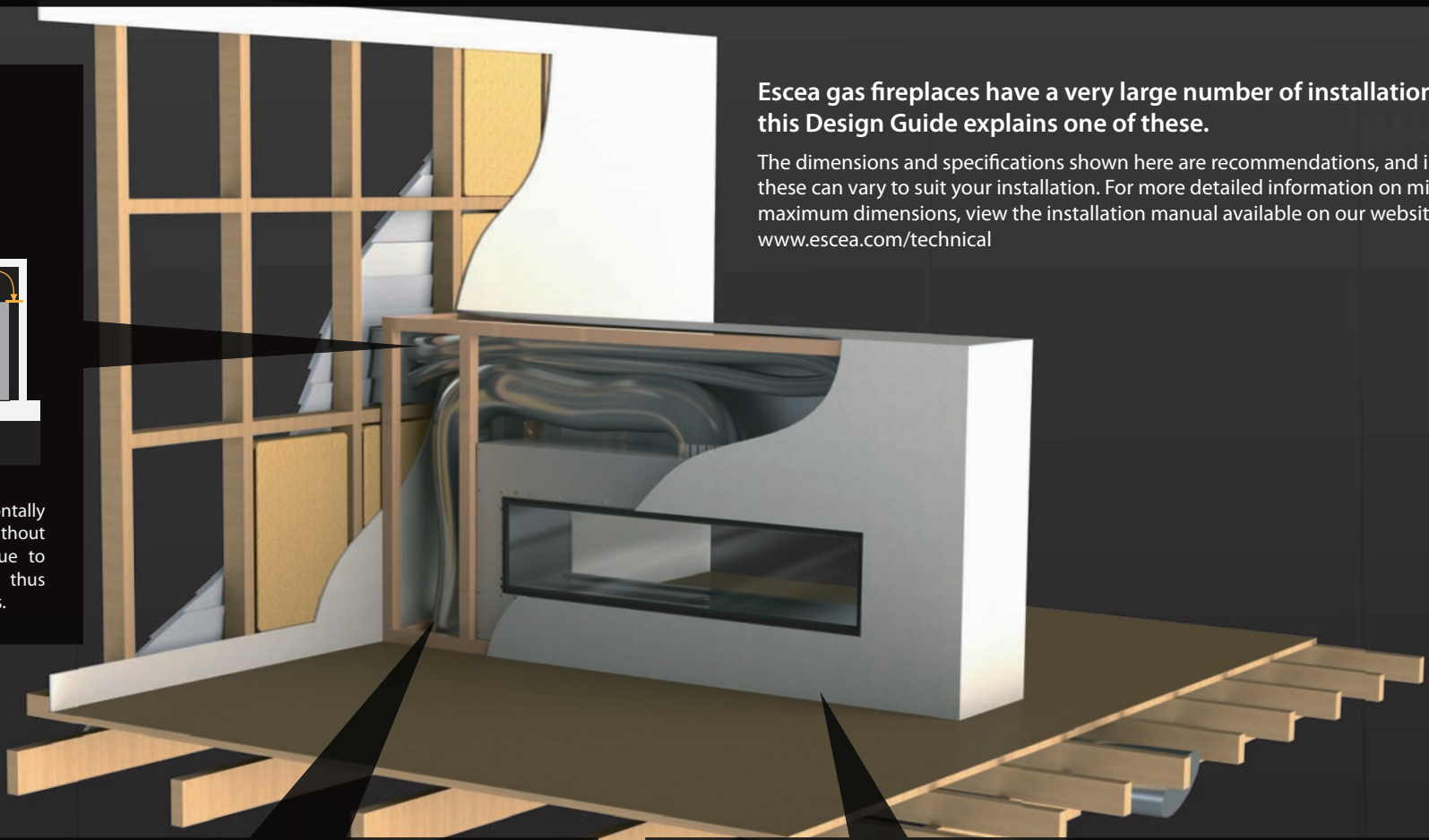
Flue System



The power flue unit can be installed horizontally allowing for installations to be achieved without a visible flue. This also allows the flue to discharge through an external wall thus eliminating the need for roof penetrations.

Escea gas fireplaces have a very large number of installation options, this Design Guide explains one of these.

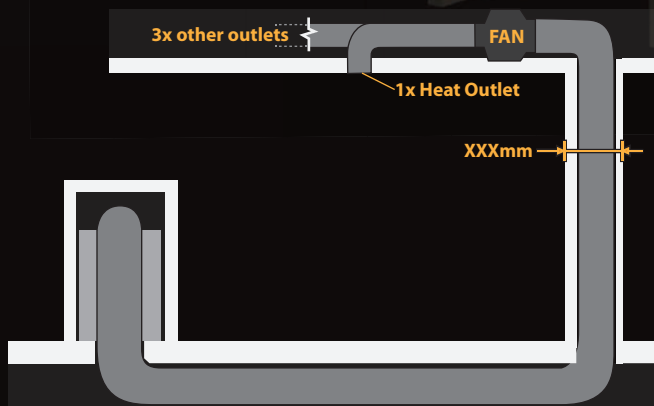
The dimensions and specifications shown here are recommendations, and in most cases these can vary to suit your installation. For more detailed information on minimum / maximum dimensions, view the installation manual available on our website: www.escea.com/technical



Ducting

It is possible for the flexible ducting to be squeezed into an oval shape if required in installations where the cavity size needs to be smaller than the overall duct diameter.

In this situation the duct diameter is not to be reduced by more than 30mm and dwangs should be offset to reduce the need to compress the ducting as much as possible.



Cavity Construction

