

# DF700 Chassis Dimensions

**IMPORTANT:**

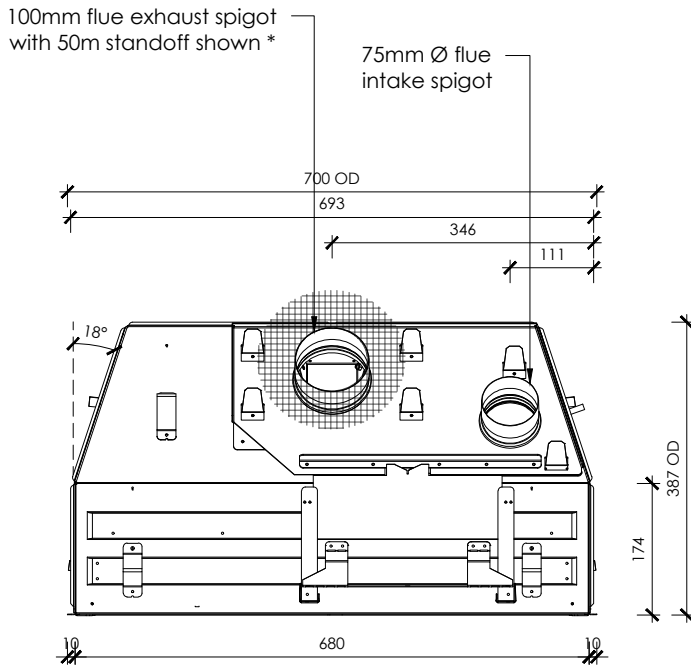
This technical sheet should be used in conjunction with the Escea DF Series Installation Manual, the latest version can be found on our website [www.escea.com/nz/technical/](http://www.escea.com/nz/technical/)

Contact the **ESCEA Architectural Advisory Team** for assistance with installation of this fire - [aa@escea.com](mailto:aa@escea.com)

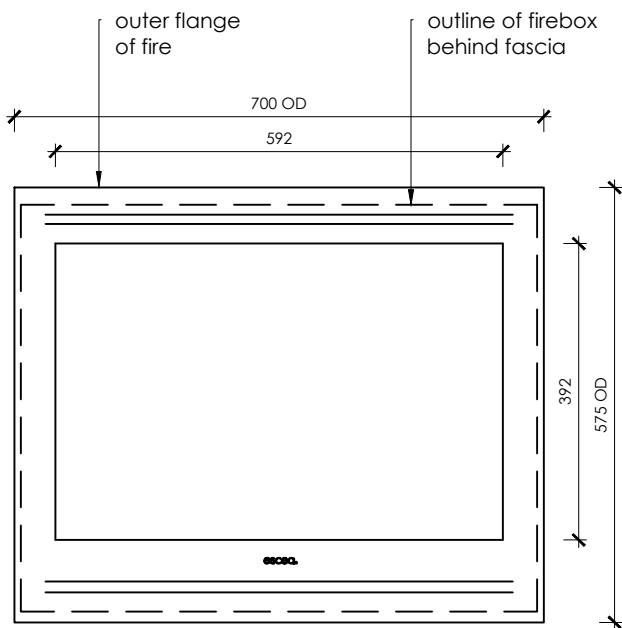
**\*50mm** clearance to all combustible surfaces for the first 900mm of the exhaust flue - zero clearance beyond this point

**note:**

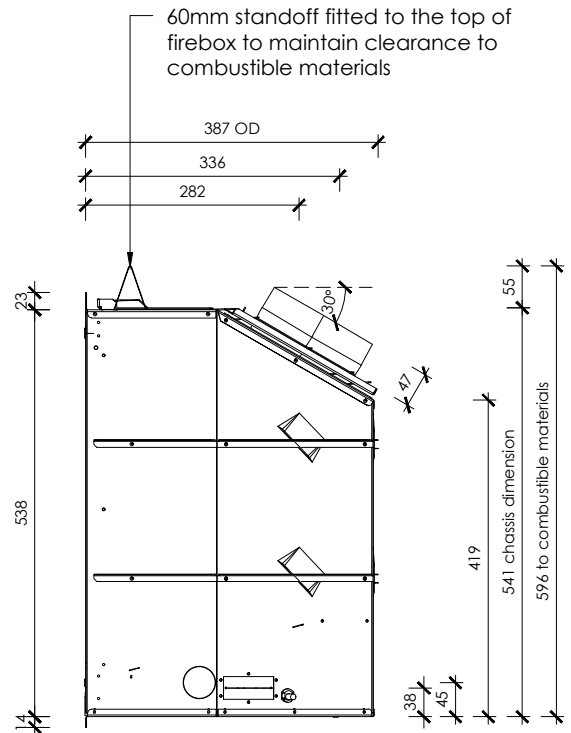
- Flue clearances may affect the design of combustible building materials above the chassis - refer to **Sec. C** of the **Escea DF Series Install Manual**.
- It is advisable to secure the flexible flue to prevent movement, vibration and sagging - this will also assist in maintaining the required 50mm standoff.
- Wall board up to 19mm can be used on the DF700.



**Plan** scale 1:10



**Front Elevation** scale 1:10



**Side Elevation** scale 1:10

file: DF SERIES MASTER FILE.dwg	scale: <b>1:10</b>	ecn: <b>ECN-2690</b>	drawing no: <b>EDA-0049</b>	revision: <b>V. 01</b>	date: <b>05.10.2017</b>	drawn: <b>MG</b>
------------------------------------	-----------------------	-------------------------	--------------------------------	---------------------------	----------------------------	---------------------