

DF960 - Chassis Dimensions

FIRE BY **escea**.

IMPORTANT:

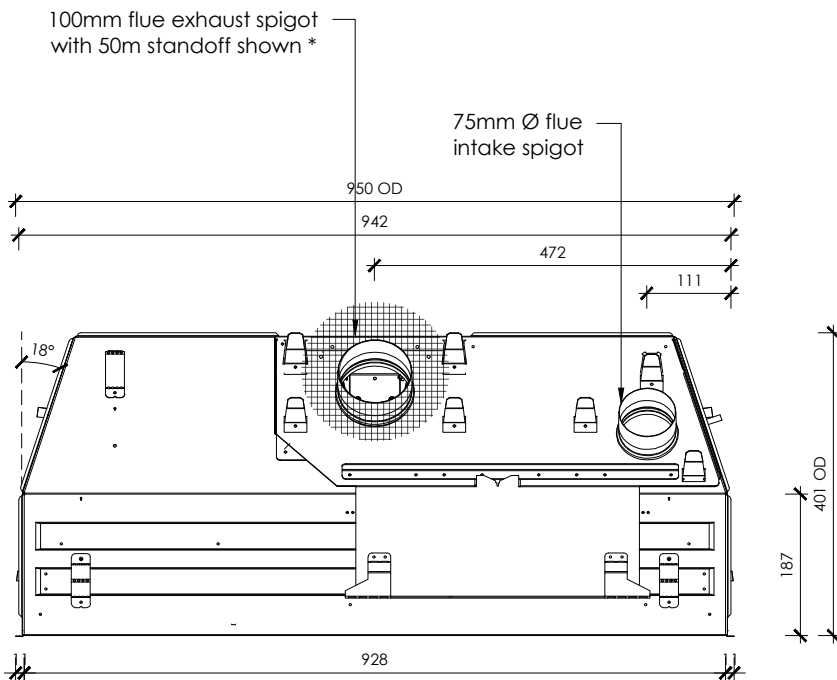
This technical sheet should be used in conjunction with Escea's DF Series Installation Manual, the latest version can be found on our website

www.escea.com/nz/technical/
Contact the ESCEA Architectural
Advisory Team for assistance with
installation of this fire - aa@escea.com

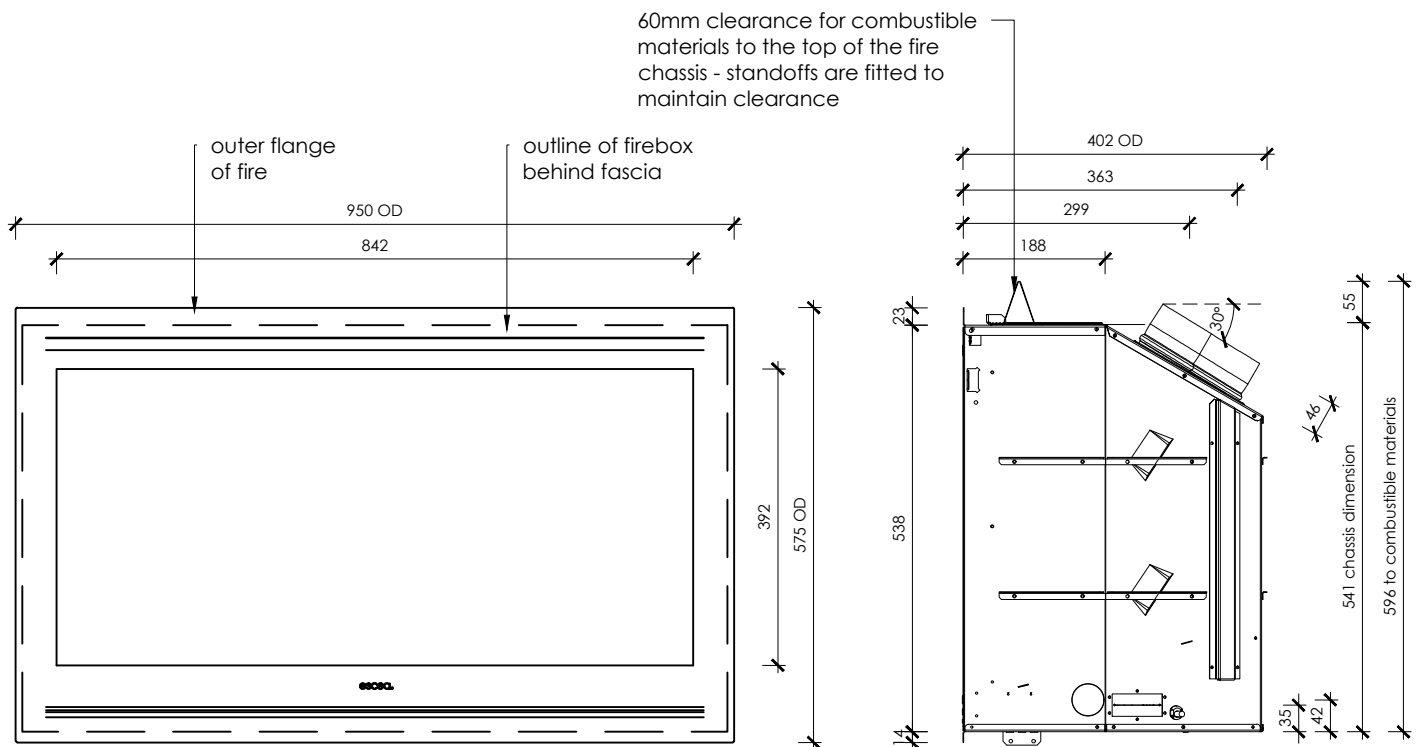
***50mm** clearance to all combustible surfaces for the first 600mm of the exhaust flue - zero clearance beyond this point

note:

- Flue clearances may affect the design of combustible building materials above the chassis - refer to **Sec. C** of the **Escea DF Series Install Manual**.
- It is advisable to secure the flexible flue to prevent movement, vibration and sagging - this will also assist in maintaining the required 50mm standoff.
- Wall board up to 19mm can be used on the DF960.



Plan scale 1:10



Front Elevation scale 1:10

Side Elevation scale 1:10

file: DF SERIES MASTER FILE.dwg	scale: 1:10	ecn: ECN-2690	drawing no: EDA-0050	revision: V. 01	date: 21.11.2017	drawn: MG
------------------------------------	-----------------------	-------------------------	--------------------------------	---------------------------	----------------------------	---------------------