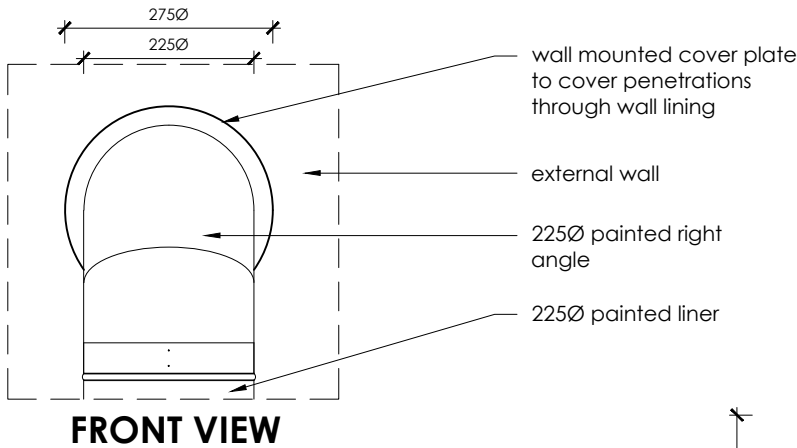


DFS730 - Horizontal Installation

FIRE BY **escea.**



wall mounted cover plate to cover penetrations through wall lining

external wall

225Ø painted right angle

225Ø painted liner

note:

- Consider space allowance for the installation of gas, electrical and network fittings - refer to **Sec. G** of the Escea DF Series Install Manual for more information.
- Flue clearance for DFS730 is provided by the location of the flue in the painted rigid liner
- The DFS730 freestanding unit must be installed correctly before installing the DF700 chassis.

225Ø painted right angle

wall mounted cover plate to cover penetrations through wall lining

75Ø intake flue pipe

100Ø exhaust flue pipe

initial 900mm long 225Ø painted flue liner - available in 1200mm extension lengths with crimped connections

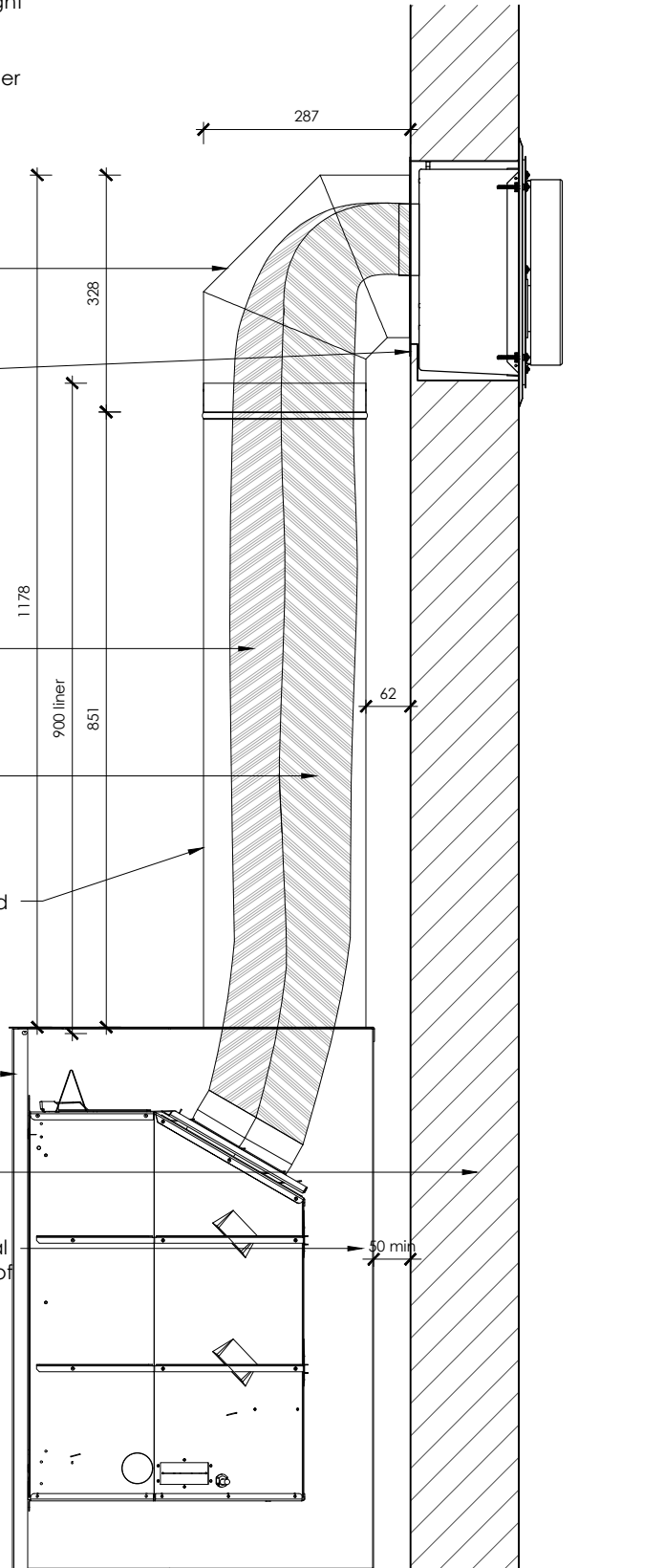
DFS730 steel body with DF700 fire insert

external wall

50mm clearance to any vertical surface from the back or sides of the outer body of the fire

no hearth required

FFL



IMPORTANT:

This technical sheet must be read in conjunction with the Escea DF Series Installation Manual, the latest version can be found on our website www.escea.com/nz/technical/

Contact the ESCEA Architectural Advisory Team for assistance with installation of this fire - aa@escea.com

file: DF SERIES MASTER FILE.dwg	scale: 1:10	ecn: ECN-2690	drawing no: EDA-0048	revision: V. 01	date: 22.11.2017	drawn: MG
------------------------------------	-----------------------	-------------------------	--------------------------------	---------------------------	----------------------------	---------------------