

Plan scale 1:10

IMPORTANT:

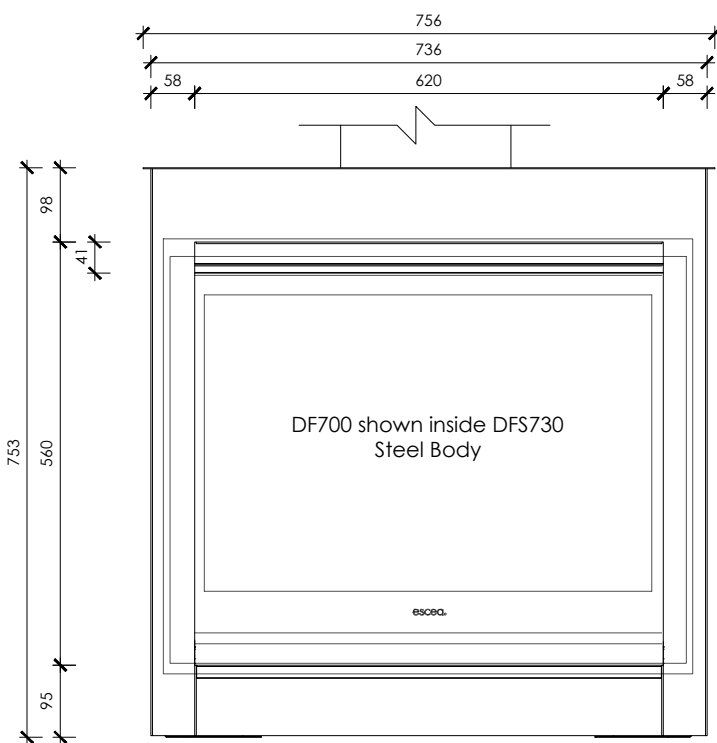
This technical sheet should be used in conjunction with the ESCEA DF Series Installation Manual, the latest version can be found on our website www.escea.com/nz/technical/

Installation instructions can be found in **Sec. G** of the **ESCEA DF/DFS Series Installation Manual**

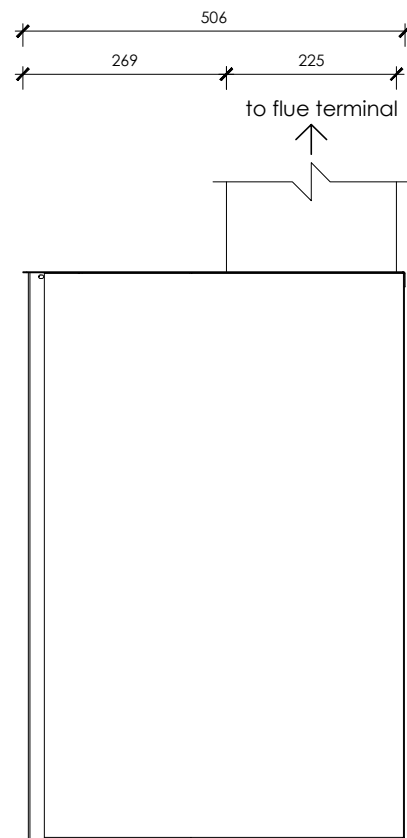
The **DFS730** freestanding unit must be installed correctly before installing the **DF700** chassis

note:

- Consider space allowance for the installation of gas, electrical and network fittings - refer to **Sec. G** of the Escea DF Series Install Manual for more information.



Front Elevation scale 1:10



Side Elevation scale 1:10

file: DF SERIES MASTER FILE.dwg	scale: 1:10	ecn: ECN-2690	drawing no: EDA-0051	revision: V. 01	date: 21.11.2017	drawn: MG
---	-----------------------	-------------------------	--------------------------------	---------------------------	----------------------------	---------------------