

### Minimum Cavity Dimensions

	A	B	C
<b>DF700</b>	455*	695	600
<b>DF960</b>	470*	945	600

\*includes 50mm for flue clearances where required

Wall Lining Cutout (max)

	H	W
<b>DF700</b>	545	685
<b>DF960</b>	545	940

Refer to **Sec. B1** of the **DF Series Install Manual** for more information on cavity clearances

DF Series Fires have a **50mm** exhaust flue clearance, to combustible materials, for a minimum length directly from the fire chassis.

**DF700** - 900mm  
**DF960** - 600mm  
**DFS730** - 900mm

any standard building material or combustible wall linings up to 19mm thickness

framing member

lintel where required to comply with requisite building code

co-linear flue pipes

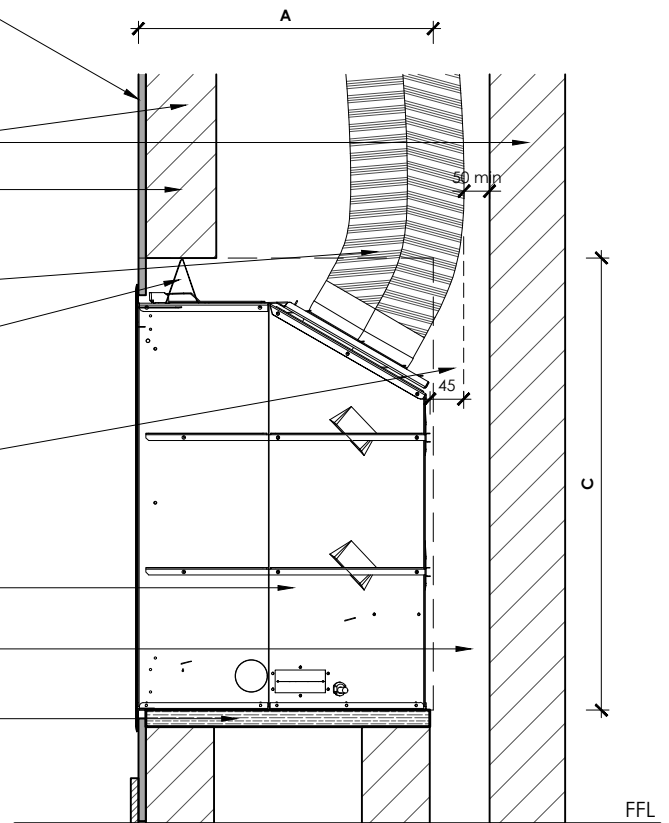
60mm standoff to combustible materials

overhang of flue pipes to the rear of the fire chassis

DF Series Gas Fire with slim fascia shown

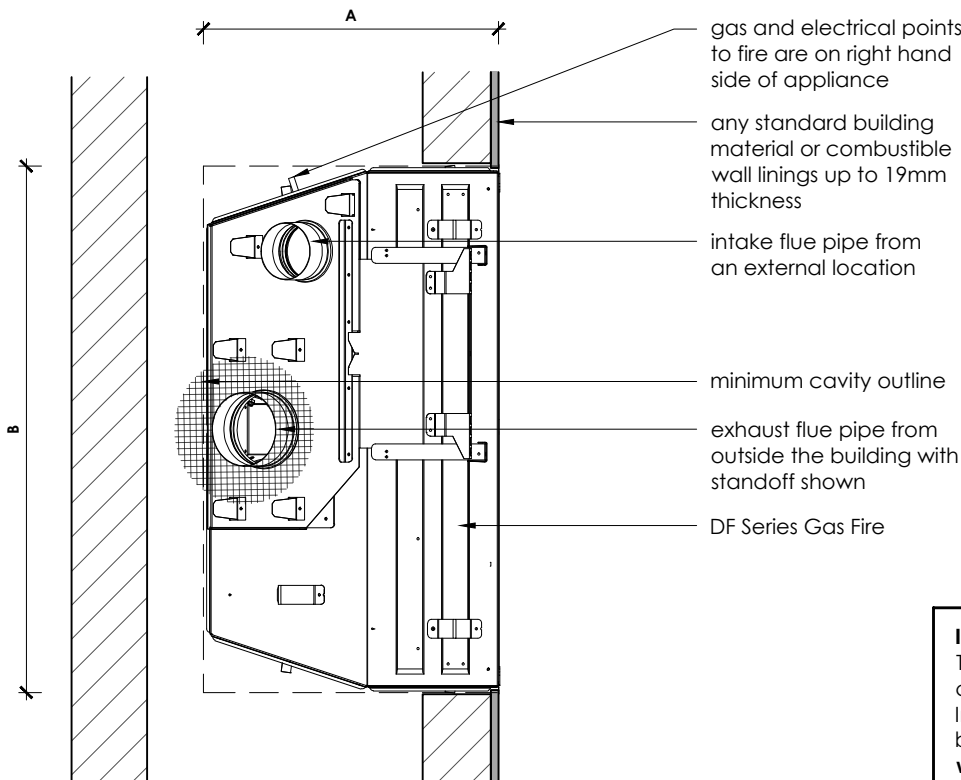
minimum cavity outline

fire on a continuous base - use a 30mm thick base when fire is installed on the ground



### Section

scale 1:10



### Front Elevation

scale 1:10

### IMPORTANT:

This technical sheet must be read in conjunction with the Escea DF Series Installation Manual, the latest version can be found on our website  
[www.escea.com/nz/technical/](http://www.escea.com/nz/technical/)

Contact the **ESCEA Architectural Advisory Team** for assistance with installation of this fire - [aa@escea.com](mailto:aa@escea.com)

file: DF SERIES MASTER FILE.dwg	scale: <b>as shown</b>	ecn: <b>ECN-2364</b>	drawing no: <b>EDA-0049</b>	revision: <b>V.03</b>	date: <b>04.10.2017</b>	drawn: <b>MG</b>
------------------------------------	---------------------------	-------------------------	--------------------------------	--------------------------	----------------------------	---------------------