

## Slim Fascia

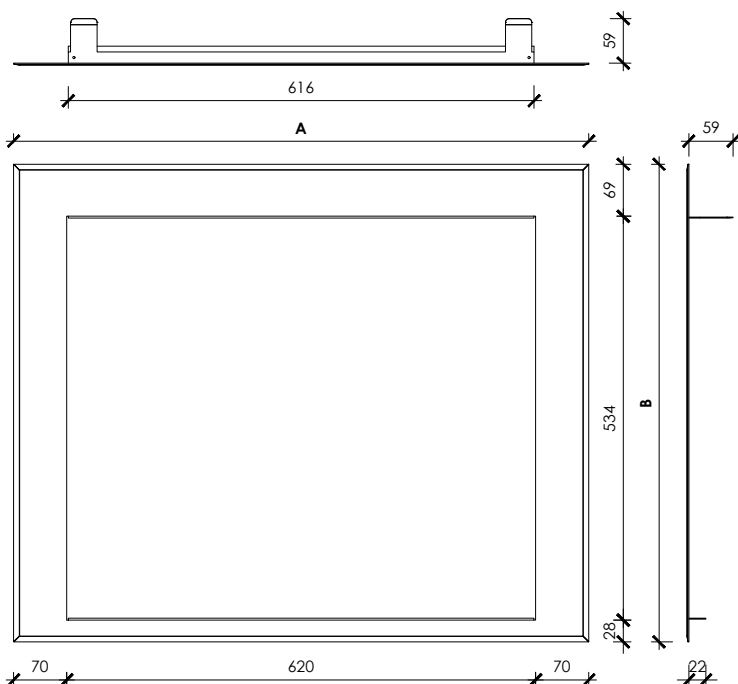
scale 1:10

DF Series Fires have a **50mm** exhaust flue clearance, to combustible materials, for a minimum length directly from the fire chassis.

**DF700** - 900mm  
**DF960** - 600mm  
**DFS730** - 900mm

**note:**

- Slim and Stretch Fascia are available in Titanium Silver, Stainless Steel and Volcanic Black.
- Fascia is designed to finish flush with the wall surface and overlay the chassis outer flanges.
- For fascia fitting instructions refer to **Sec. F1** of the Escea DF Series Installation Manual or the requisite detail sheet which can be downloaded from our website - [www.escea.com/nz/technical/](http://www.escea.com/nz/technical/)



## Stretch Fascia

scale 1:10

**FASCIA OUTSIDE DIMENSIONS**

		A	B
<b>DF700</b>	Slim	717	593
	Stretch	761	632
<b>DF960</b>	Slim	961	593
	Stretch	1011	632

**IMPORTANT:**

This technical sheet must be read in conjunction with the Escea DF Series Installation Manual, the latest version can be found on our website [www.escea.com/nz/technical/](http://www.escea.com/nz/technical/)

Contact the **ESCEA Architectural Advisory Team** for assistance with installation of this fire - [aa@escea.com](mailto:aa@escea.com)