

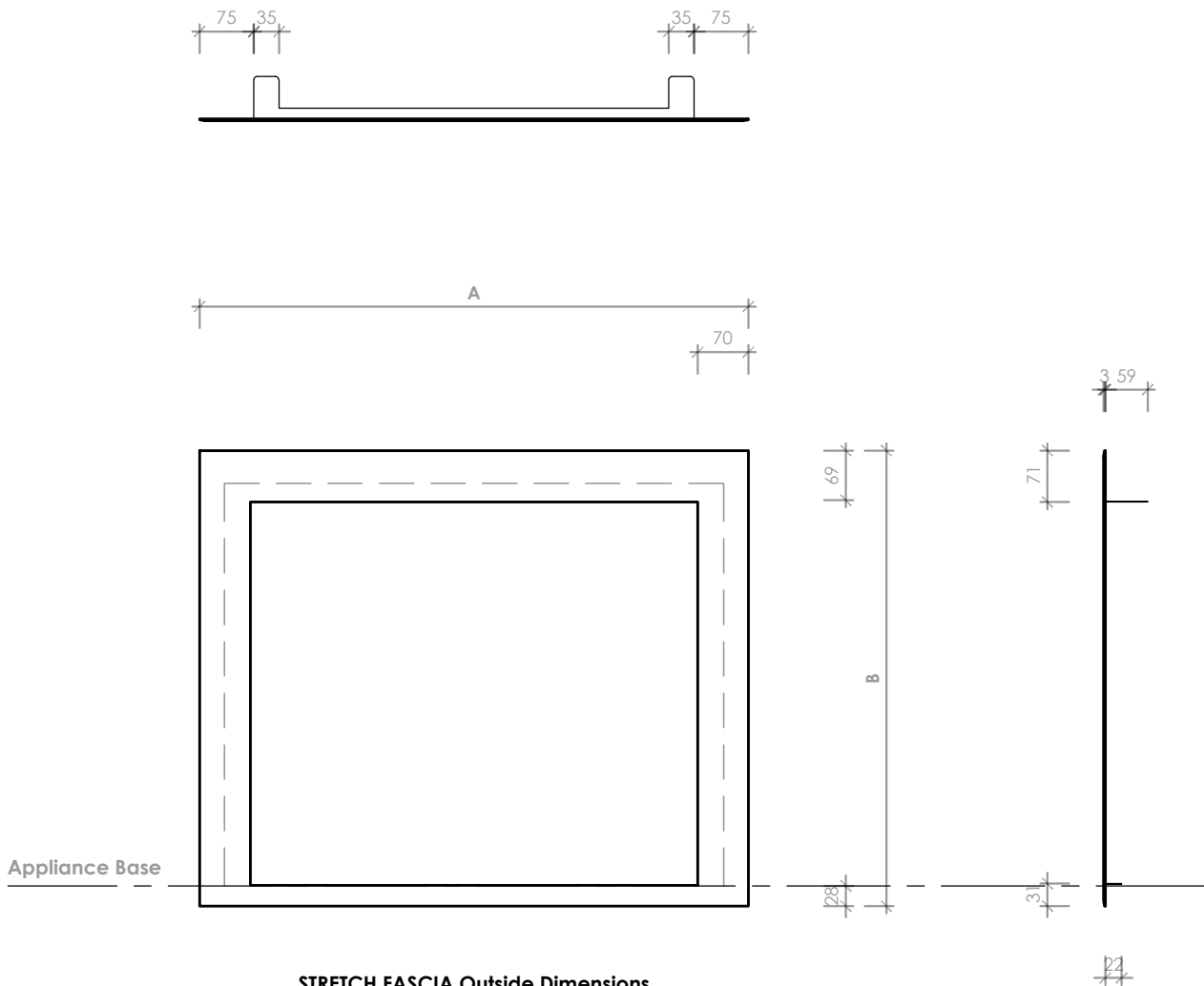
	A	B
DF700	723	598
DF960	973	598
DF990	973	887

Notes:

- All dimensions are in mm.
- Slim Fascia is available in Metallic Black, Titanium Silver or Stainless Steel (DF700 and 960 only) finishes.
- Fascia is designed to finish flush with the wall surface and overlay the junction between the appliance and the wall lining.
- Powdercoated fascia's can be easily damaged - handle with care.
- For fascia fitting instructions refer to the Escea DF Series Installation Manual, the latest version can be found on our website at www.escea.com

GENERAL CONSTRUCTION AND FINISHES SHOWN INDICATIVE ONLY

Contact the **ESCEA Architectural Advisory Team** for assistance with the specification of this fire - aa@escea.com



STRETCH FASCIA Outside Dimensions

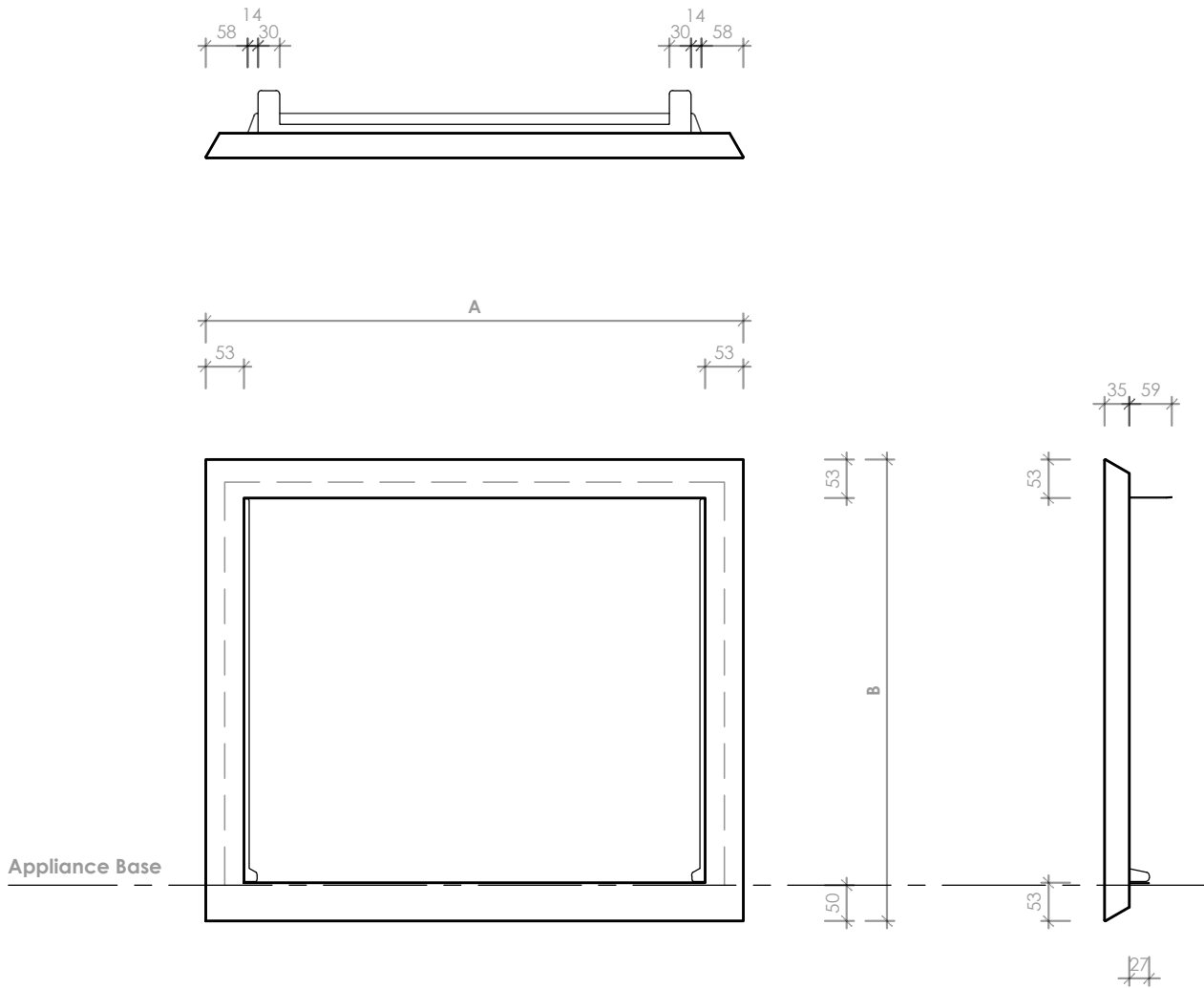
	A	B
DF700	761	632
DF960	1011	632
DF990	N/A	N/A

Notes:

- All dimensions are in mm.
- Stretch Fascia is available in Metallic Black, Titanium Silver or Stainless Steel finishes.
- Fascia is designed to finish flush with the wall surface and overlay the junction between the appliance and the wall lining.
- Powdercoated fascia's can be easily damaged - handle with care.
- For fascia fitting instructions refer to the Escea DF Series Installation Manual, the latest version can be found on our website at www.escea.com

GENERAL CONSTRUCTION AND FINISHES SHOWN INDICATIVE ONLY

Contact the **ESCEA Architectural Advisory Team** for assistance with the specification of this fire - aa@escea.com



EDGE FASCIA Outside Dimensions

	A	B
DF700	745	639
DF960	996	639
DF990	N/A	N/A

Notes:

- All dimensions are in mm.
- Edge Fascia is available in Metallic Black or Titanium Silver finishes.
- Fascia is designed to finish flush with the wall surface and overlay the junction between the appliance and the wall lining.
- Powdercoated fascia's can be easily damaged - handle with care.
- For fascia fitting instructions refer to the Escea DF Series Installation Manual, the latest version can be found on our website at www.escea.com

GENERAL CONSTRUCTION AND FINISHES SHOWN INDICATIVE ONLY

Contact the **ESCEA Architectural Advisory Team** for assistance with the specification of this fire - aa@escea.com