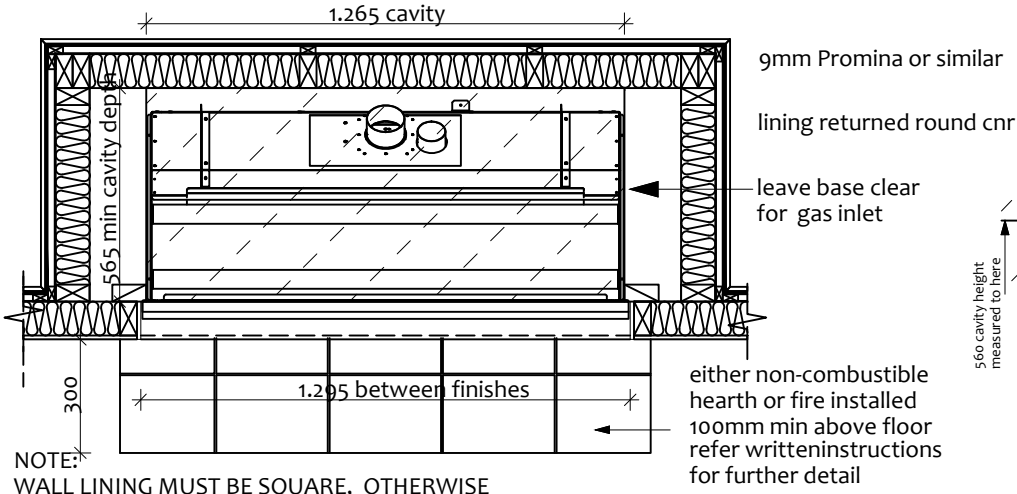
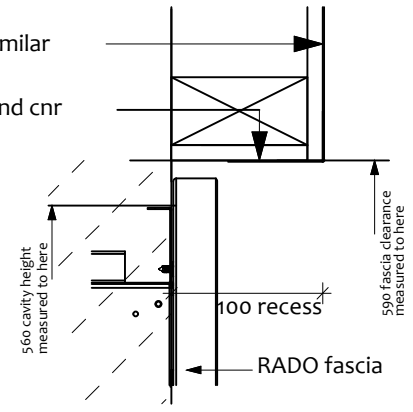


ESCEA DL1100: INSET FASCIA - RECESSED

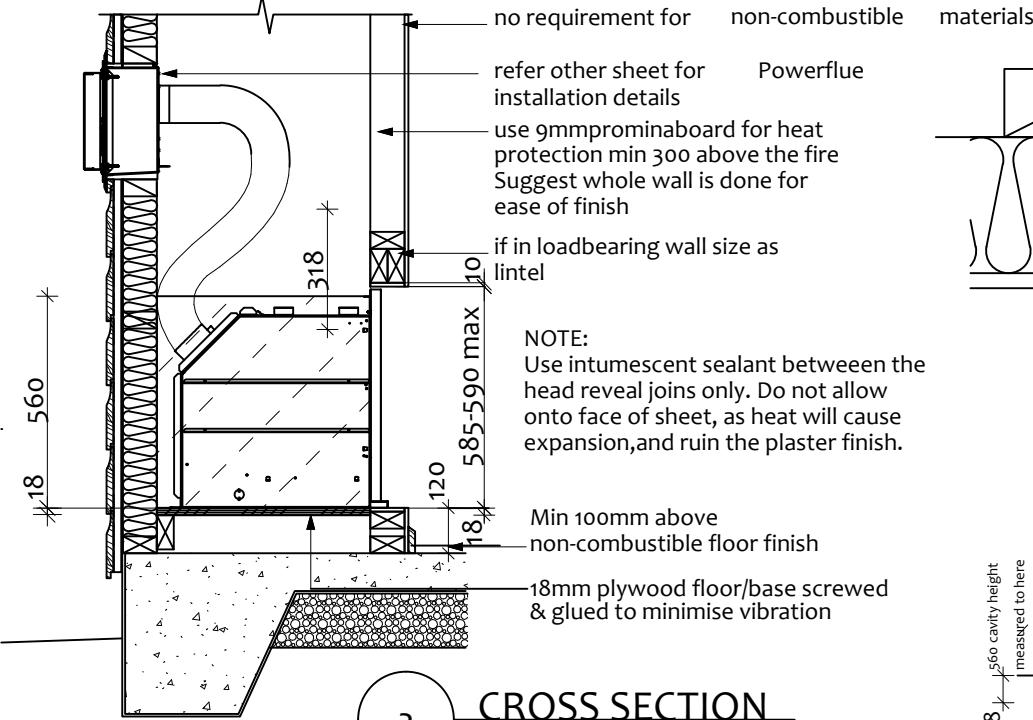


NOTE: WALL LINING MUST BE SQUARE, OTHERWISE FASCIA WON'T FIT CORRECTLY

either non-combustible hearth or fire installed 100mm min above floor refer written instructions for further detail

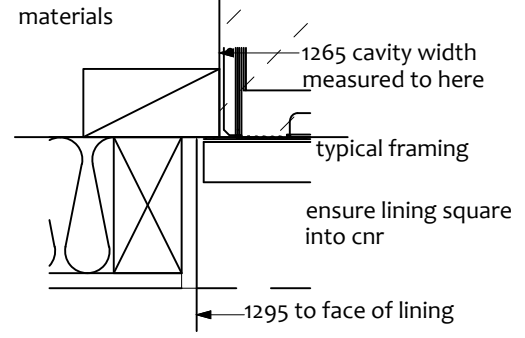


4 RECESSED HEAD
Scale: 1:5



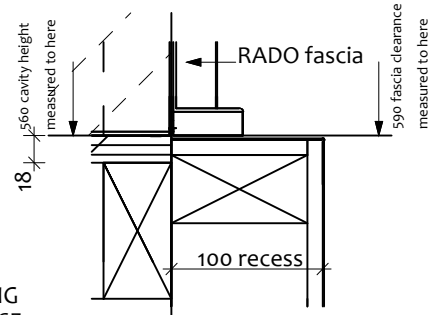
NOTE: Use intumescent sealant between the head reveal joins only. Do not allow onto face of sheet, as heat will cause expansion, and ruin the plaster finish.

2 CROSS SECTION
Scale: 1:20

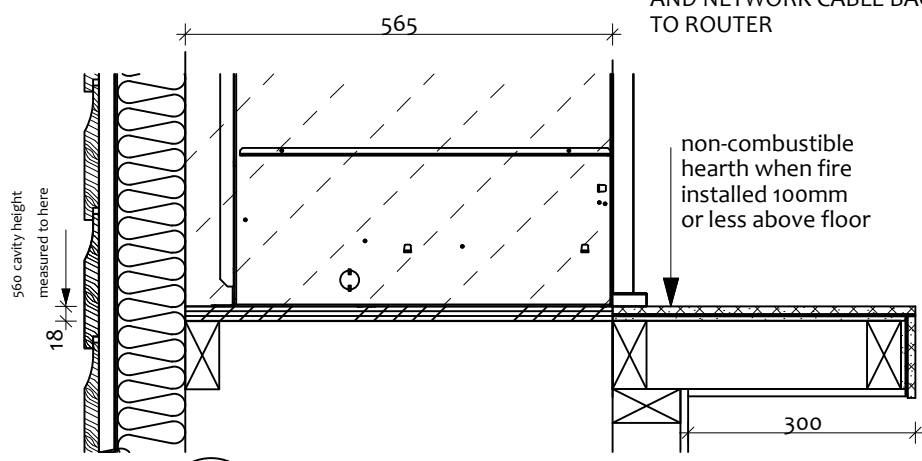


5 RECESSED JAMB
Scale: 1:5

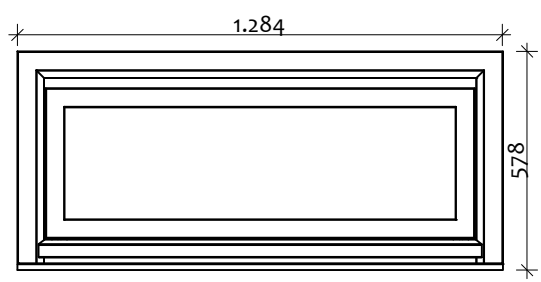
NOTE: ELECTRICIAN TO PROVIDE EASILY ACCESSIBLE ISOLATING POWER SWITCH TO APPLIANCE, AND NETWORK CABLE BACK TO ROUTER



6 RECESSED BASE
Scale: 1:5



3 FLOOR DETAIL
Scale: 1:10



4 FASCIA DIMENSIONS
Scale: 1:20