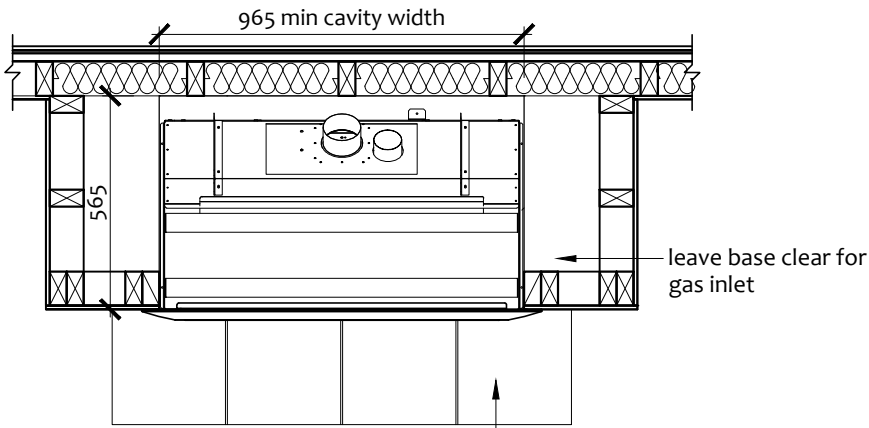
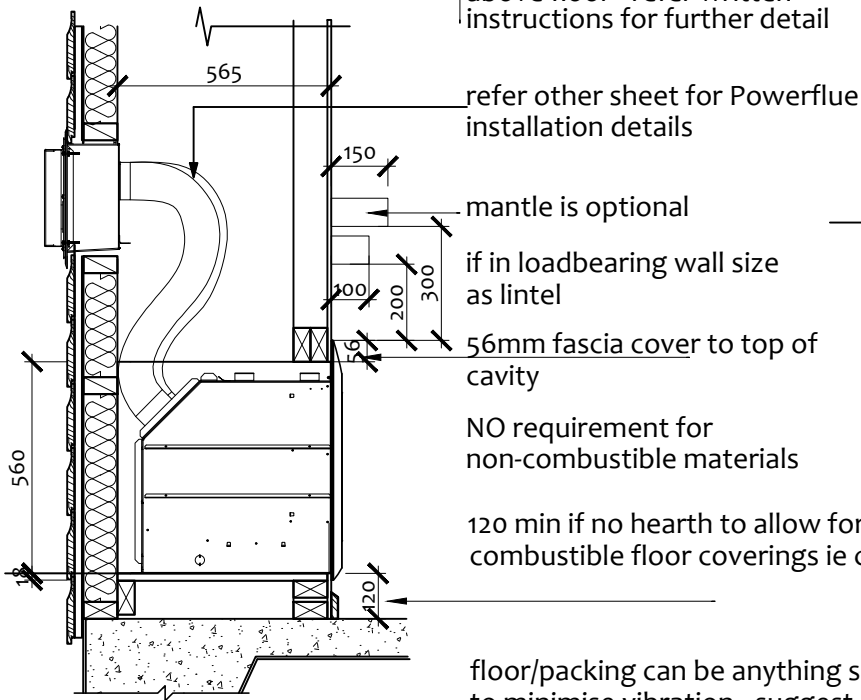


# ESCEA DL850: BEVELLED FASCIA in GIB



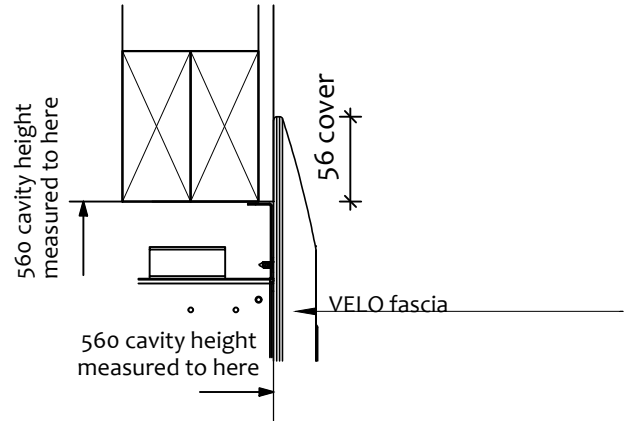
**1 PLAN**  
Scale: 1:20

either non-combustible hearth or fire installed 100mm min above floor - refer written instructions for further detail

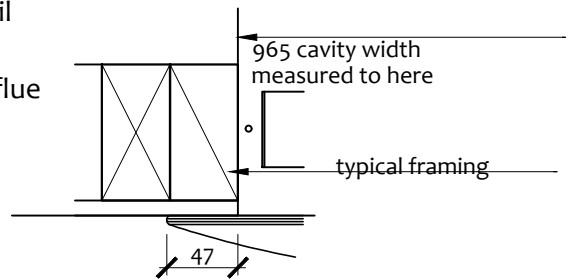


**2 CROSS SECTION**  
Scale: 1:20

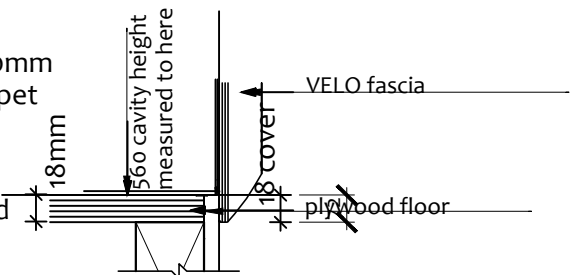
floor/packing can be anything solid to minimise vibration - suggest plywood screwed and glued - no requirement for non-combustible materials



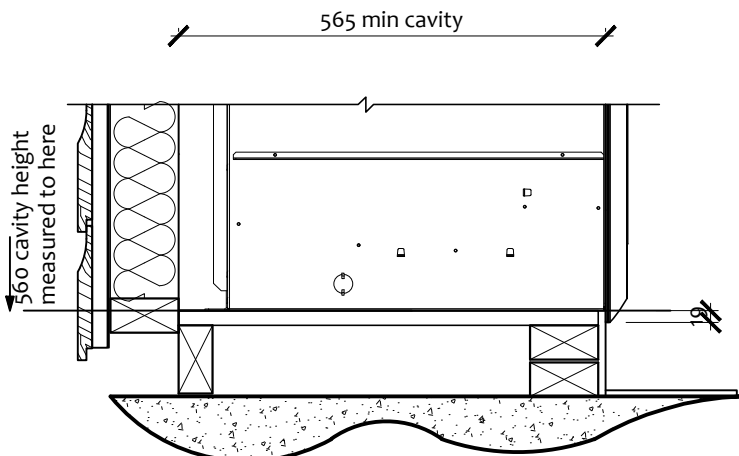
**4 HEAD**  
Scale: 1:5



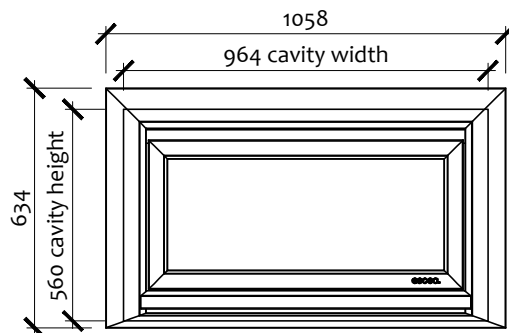
**5 JAMB**  
Scale: 1:5



**6 BASE**  
Scale: 1:5



**3 FLOOR DETAIL**  
Scale: 1:10



**7 FASCIA DIMENSIONS**  
Scale: 1:20