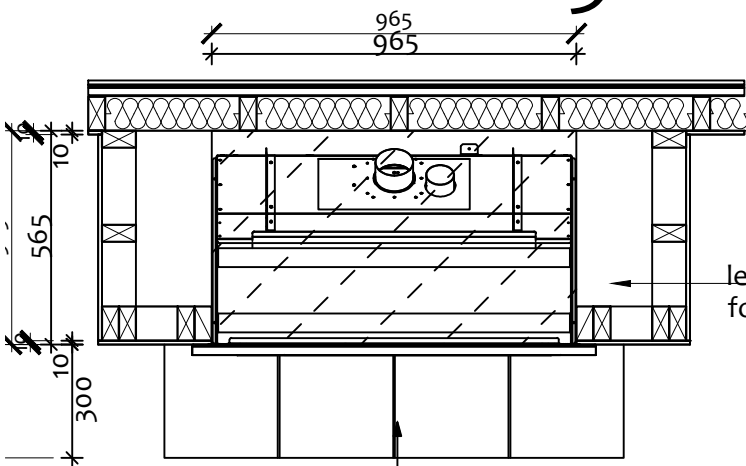


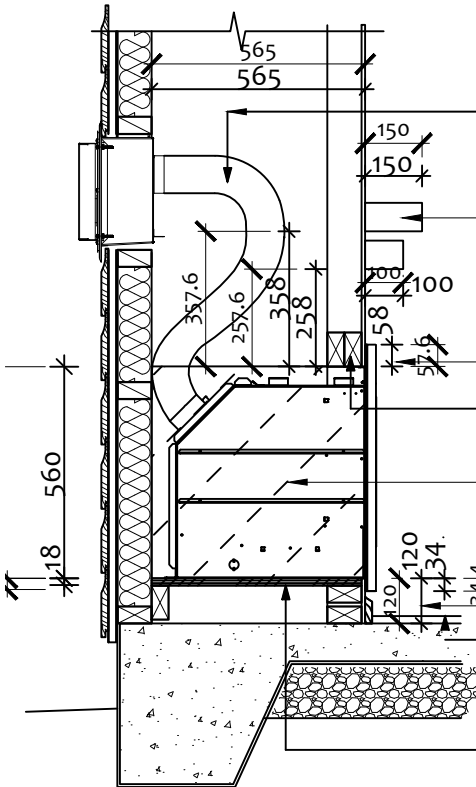
# ESCEA DL850: SQUARED FASCIA



**1 PLAN**  
Scale: 1:20

leave base clear for gas inlet

either non-combustible hearth or fire installed 100mm min above floor - refer written instructions for further detail



**2 CROSS SECTION**  
Scale: 1:20

refer other sheet for Powerflue installation details

mantle is optional.

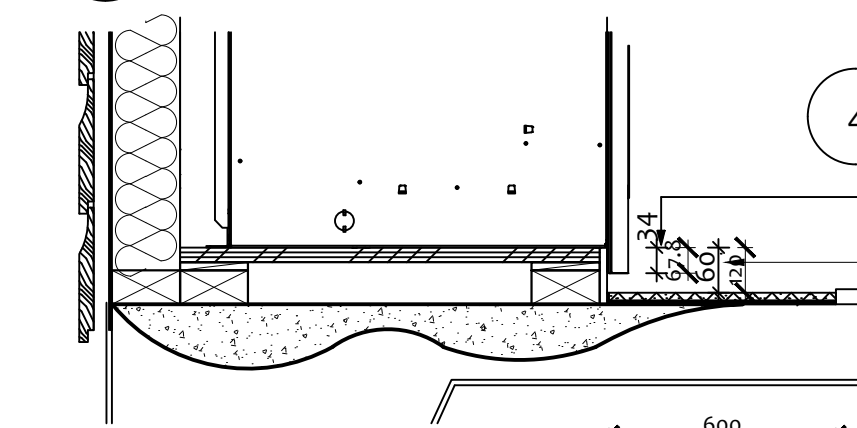
58mm fascia cover to top of cavity if in loadbearing wall size as lintel

NO requirement for non-combustible materials

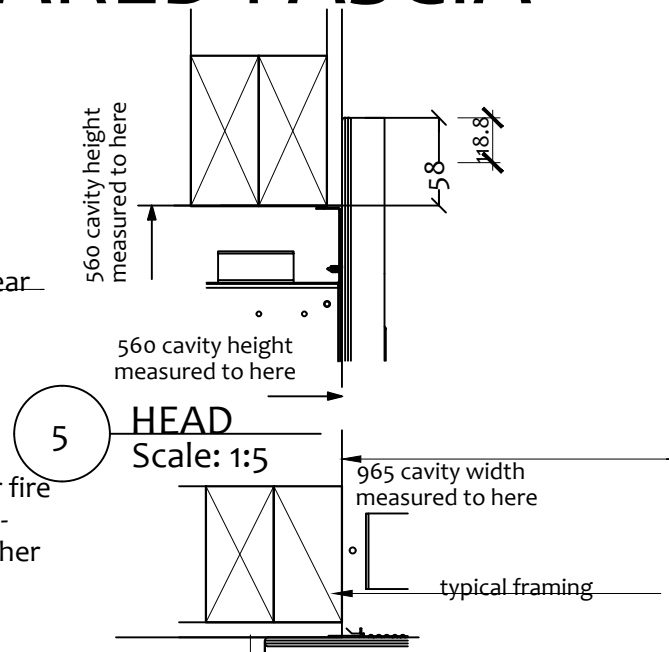
120 min if no hearth to allow for 20mm combustible floor coverings ie carpet

floor coverings ie carpet

floor/packing can be anything solid to minimise vibration - suggest plywood, screwed and glued - no requirement for non-combustible materials



**3 FLOOR DETAIL**  
Scale: 1:10



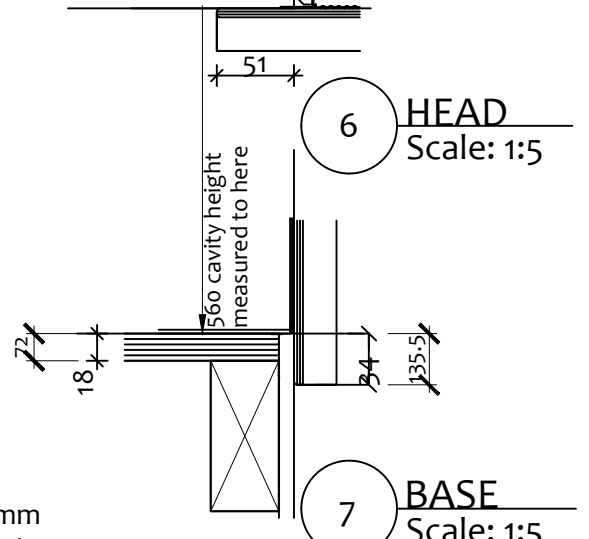
**5 HEAD**  
Scale: 1:5

560 cavity height measured to here

560 cavity height measured to here

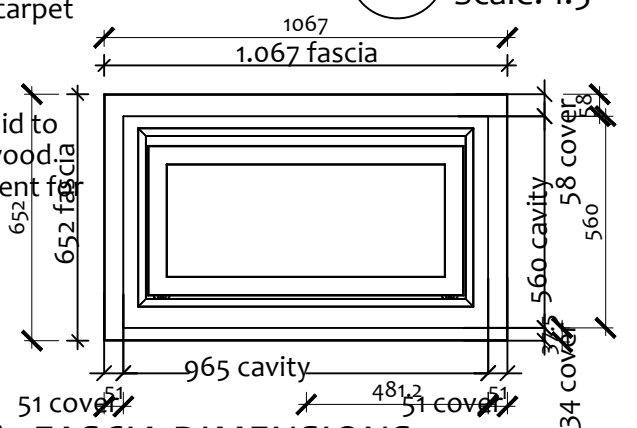
965 cavity width measured to here

typical framing



**6 HEAD**  
Scale: 1:5

**7 BASE**  
Scale: 1:5



**4 FASCIA DIMENSIONS**  
Scale: 1:20

34mm fascia cover to base of cavity.

60mm clearance from base of fire to top of non-combustible floor or finished hearth surface as appliance draws air from here

min 300mm wide hearth if less than 100mm clear between base of cavity & combustible material below fire.