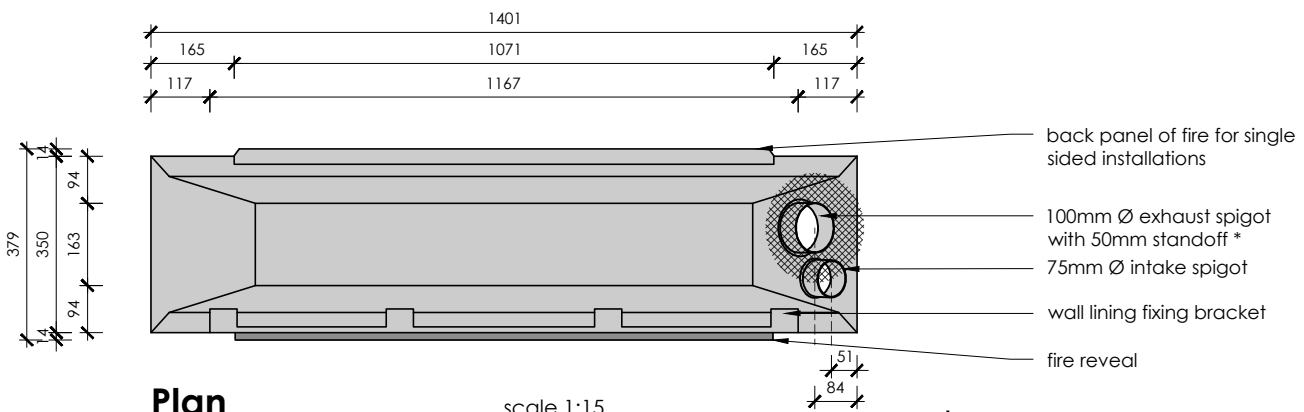
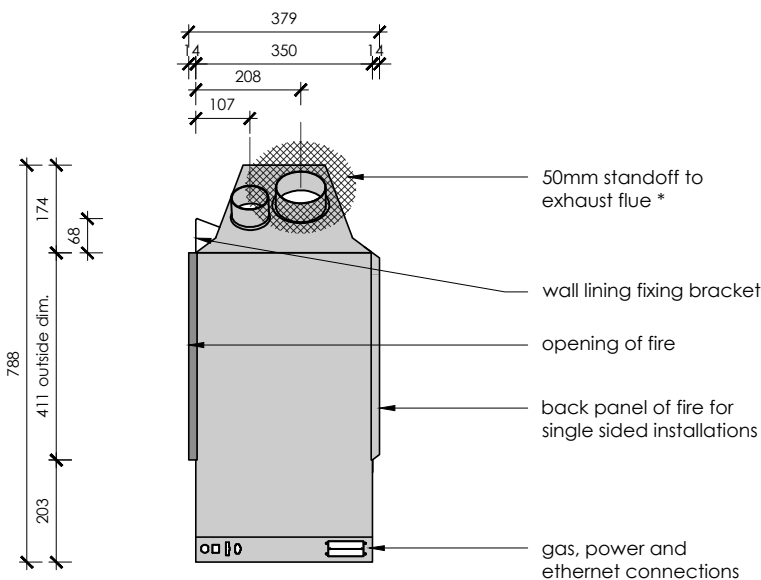


Front Elevation scale 1:15



Plan scale 1:15



Side Elevation scale 1:10

note:

- DO NOT SCALE OFF THESE DRAWINGS
- All dimensions are in mm.
- Flue clearances may affect the design of combustible building materials above the chassis.
- DS1150 has 3 wall lining finishing options:
 - **Frameless** - 10-20mm linings
 - **Bevelled Fascia** - 13mm wall linings
 - **Linear Trim** - 10-20mm wall linings
- For flue system requirements refer to Sec. C of the **ESCEA DS Series Install Manual**

*50mm clearance to all combustible surfaces for the first 1200mm of the exhaust flue - zero clearance beyond this point

IMPORTANT:

This technical sheet must be read in conjunction with the Escea DS Series Installation Manual, the latest version can be found on our website www.escea.com/nz/technical/

Contact the **ESCEA Architectural Advisory Team** for assistance with installation of this fire - aa@escea.com

file: DS SERIES MASTER FILE.dwg	scale: 1:15	ecn: ECN-2669	drawing no: EDA-0247	revision: 001	date: 13.10.2017	drawn: MG
------------------------------------	-----------------------	-------------------------	--------------------------------	-------------------------	----------------------------	---------------------