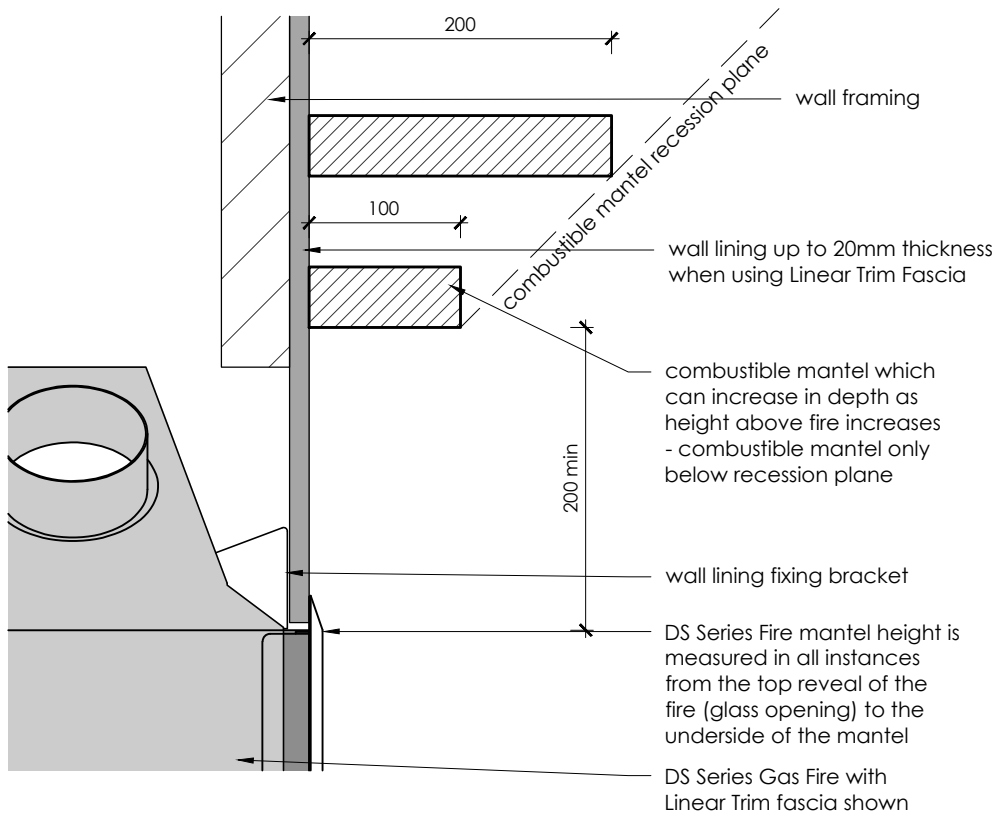


for further information on mantel or TV clearances refer to **Sec. B6** of the Escea DS Series Installation Manual which can be downloaded from our website - www.escea.com/nz/technical/

TV Clearance scale 1:5



50mm clearance to all combustible surfaces for the first 1200mm of the exhaust flue - zero clearance beyond this point

IMPORTANT:
This technical sheet must be read in conjunction with the Escea DS Series Installation Manual, the latest version can be found on our website www.escea.com/nz/technical/
Contact the ESCEA Architectural Advisory Team for assistance with installation of this fire - aa@escea.com

Mantel Clearance scale 1:5

file: DS SERIES MASTER FILE.dwg	scale: 1:5	ecn: ECN-2669	drawing no: EDA-0255	revision: 001	date: 13.10.2017	drawn: MG
------------------------------------	----------------------	-------------------------	--------------------------------	-------------------------	----------------------------	---------------------