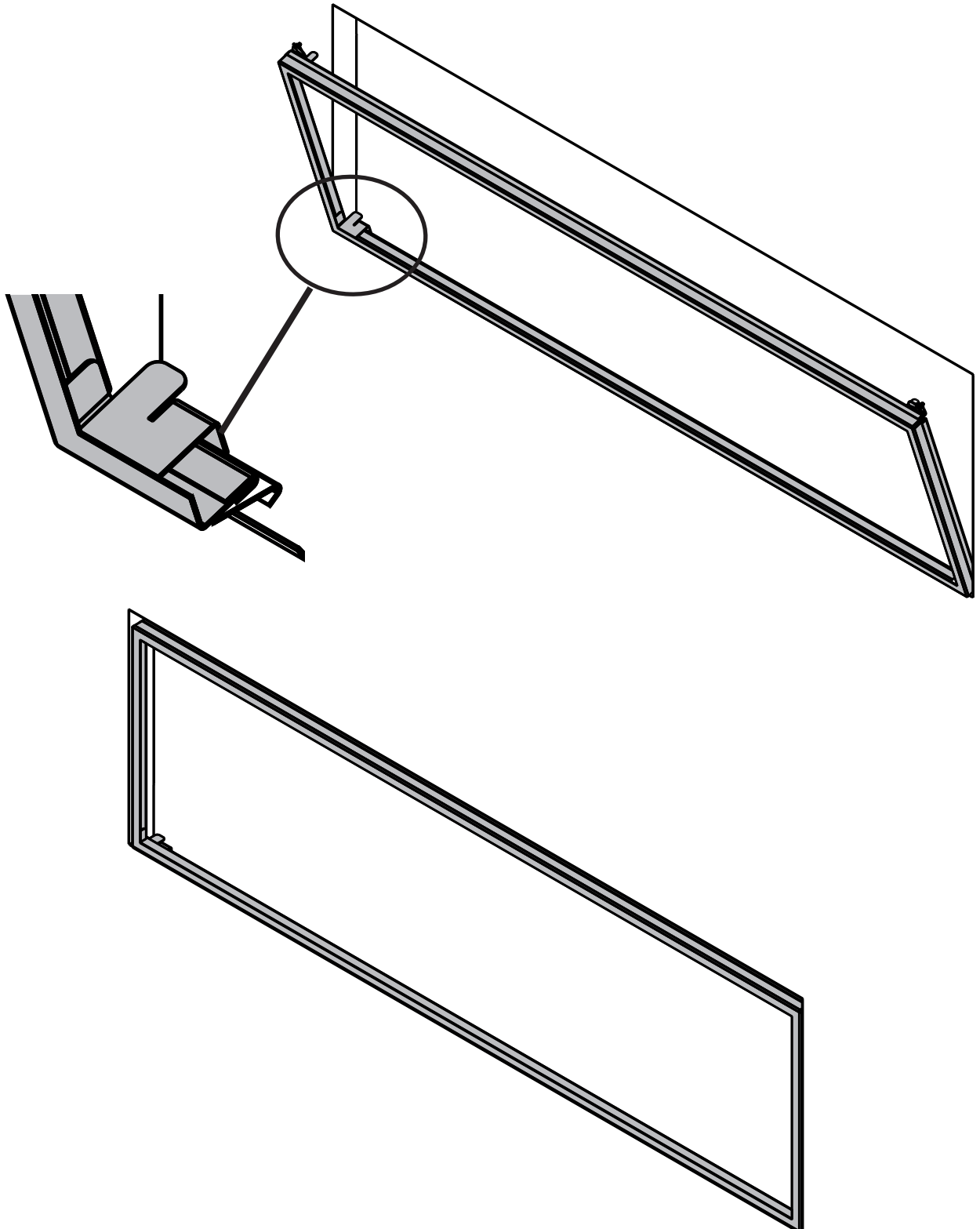


## Accessory Installation Instruction

## DS Mesh Screen

To install the Mesh Screen onto the DS, hook the bottom edge over the bottom trim first and push the top edge in so it is flush with the gib trims. When sitting correctly, a gap will be left between the top of the mesh and the underside of the top gib trim. Refer to the next page for further details.



## Accessory Installation Instruction

## DS Mesh Screen

Rotate the locking tabs on the top corners of the mesh using a screwdriver. These lock the mesh in place and create a gap between the mesh and the upper gib trim. The gap allows for hot air to come out of the fire, and must not be obstructed.

