

TFS650 - Freestanding Wood Fireplace

Information Sheet for Builders and Architects

FIRE BY **escea**.

SPECIFICATIONS

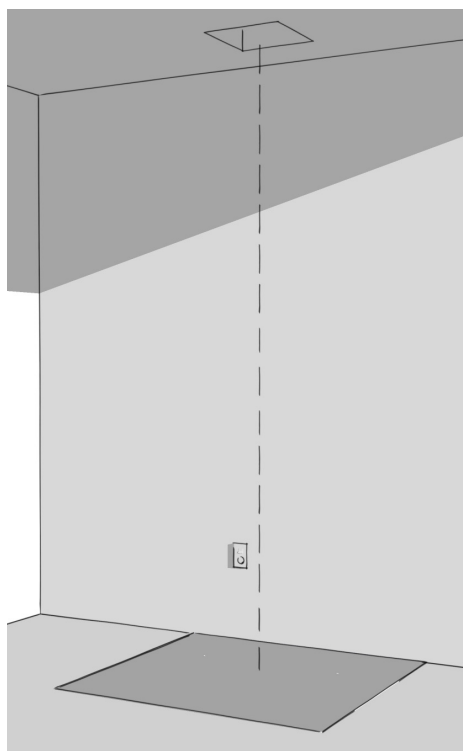
Est. Heating Area	100-160m ²
Efficiency	68.3%
Average Particulate Emission	0.89g/kg
Appliance Weight	162kg
Fuel Type	Softwood
Maximum Log Size	450mm
ECAN Authorisation No.	CRC242513
Compliance	Clearance tested to AS/NZS 2918
Damper Control	Yes - top right of the appliance
Flue Type	Natural Draught - Direct Vent †
Flue Size	150mm Inner/200mm Outer/250mm outer
Flue Length (minimum)	4.5m - from the top of the appliance
Floor Protector	Required



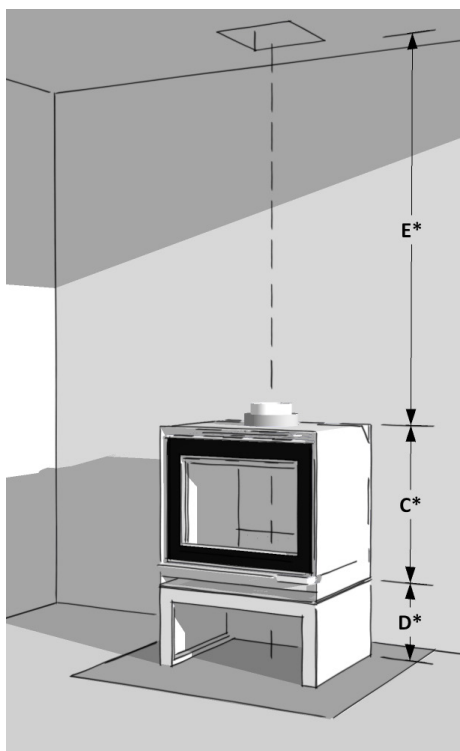
Combustion Air Intake	External
Heat Shield	Not required
Glass Wash	Yes
Fire Bricks	Vermiculite
Room Ventilation	Not required
Wetback	Prohibited

† Please refer to Indoor Wood Flue Specification Guide for further guidance.

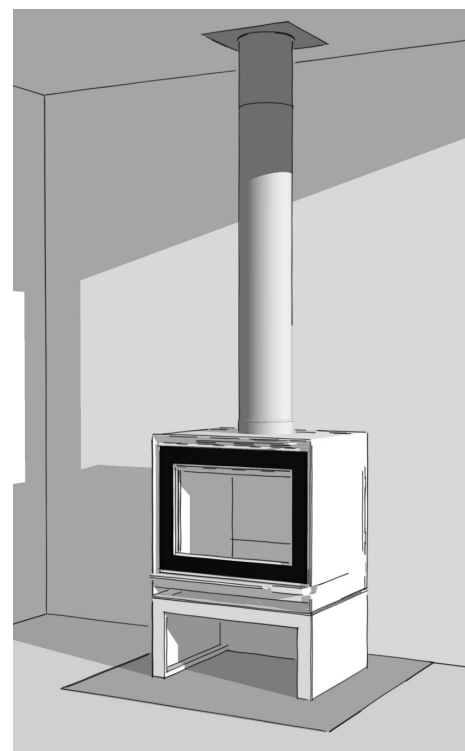
INSTALLATION



Select the desired location for the fireplace. Obtain flue centreline to ensure the flue run is clear from obstructions. Install the floor protector, allowing for all requisite safety clearances.



Install the fireplace on a plinth, base or preformed heat resistant structure following the TFS650 Installation Manual. Fix the fire to the plinth, base or structure and the plinth or base to the floor. It is recommended that only HHA approved/accredited tradespeople should be used to install this fireplace.
***See appliance dimensions over page.**

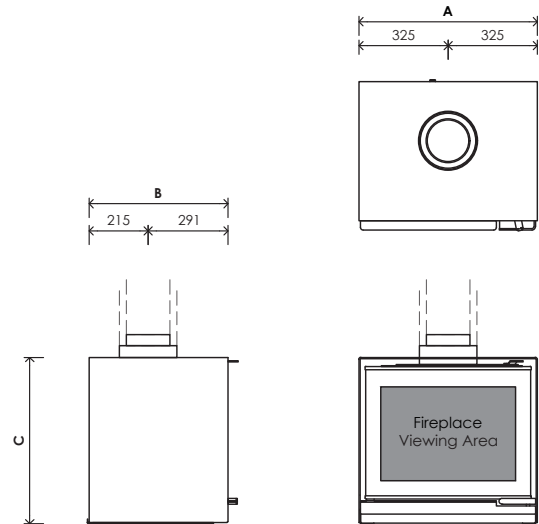


Install the flue and liner to the correct configuration and height. The ceiling plate should be fitted at this time. Complete the installation by installing any additional components. Operate the fireplace for the first week with a hot fire and the damper fully open.

APPLIANCE DIMENSIONS

The TFS650 is constructed from 4mm painted mild steel panels with a 5mm glass door and utilises a direct vent co-axial flue system.

Appliance Width (A)	650mm
Appliance Depth (B)	506mm
Appliance Height (C)	606mm
Minimum Appliance Height from Floor (D)	300mm
Minimum Ceiling Height from top of TFS650 (E)	1420mm
Firebox Opening Size	530mm W x 368mm H
Glass Viewing Area	600mm W x 480mm H
Floor Protector Size	1050mm W x 1006mm D



FLOOR PROTECTOR

For a fireplace base elevated 300mm or more above a combustible floor, a continuous non-combustible floor protector is required with the dimensions: **1050mm W x 1006mm D**. To reduce the 300mm clearance to the fireplace base from a combustible floor, use an insulating, heat-resistant floor per AS/NZS 2918.

SEISMIC RESTRAINT

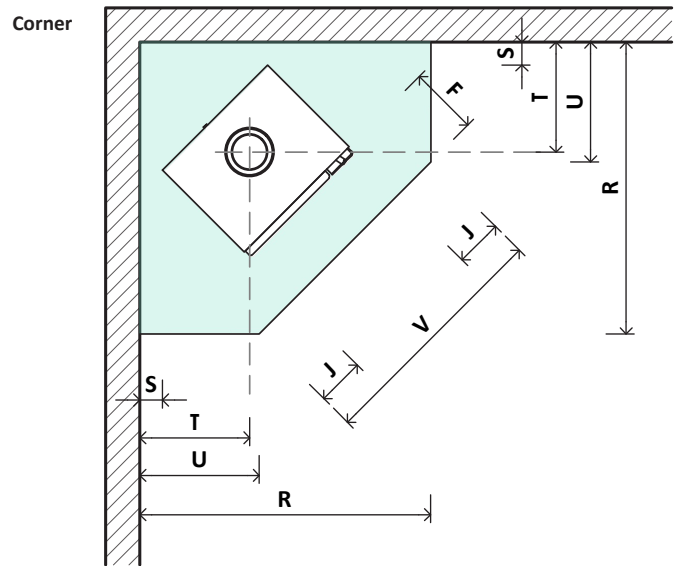
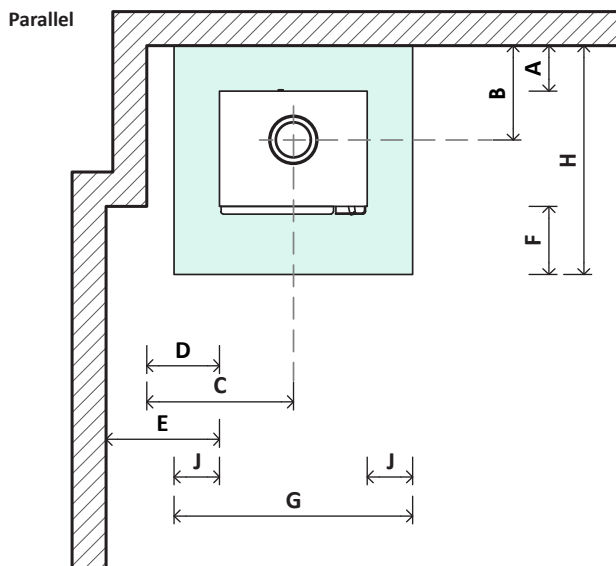
Fasten the fireplace to the plinth or base and secure the plinth or base to the floor using suitable, appropriately sized fasteners anchored into structural components.

CLEARANCES TO COMBUSTIBLES

Clearances are set to prevent contact with combustible materials, including timber-framed walls. Follow AS/NZS 2918, Section 3, to reduce these clearances. Objects in front of the fireplace must maintain a 1.2m safety distance.

FIREPLACE BASE

Install the TFS650 Fireplace at least **300mm** above any combustible surface's finished level. A continuous, non-combustible base is essential to bear the weight of the appliance and flue system above. Escea offers both Glass Reinforced Concrete (GRC) plinth and sheet-metal base options, specifically crafted to enhance the TFS650 Fireplace.



A	B	C	D	E	F	G	H	J	R	S	T	U	V
220	435	645	320	500	300	1050	1026	200	1284	100	490	532	1064

