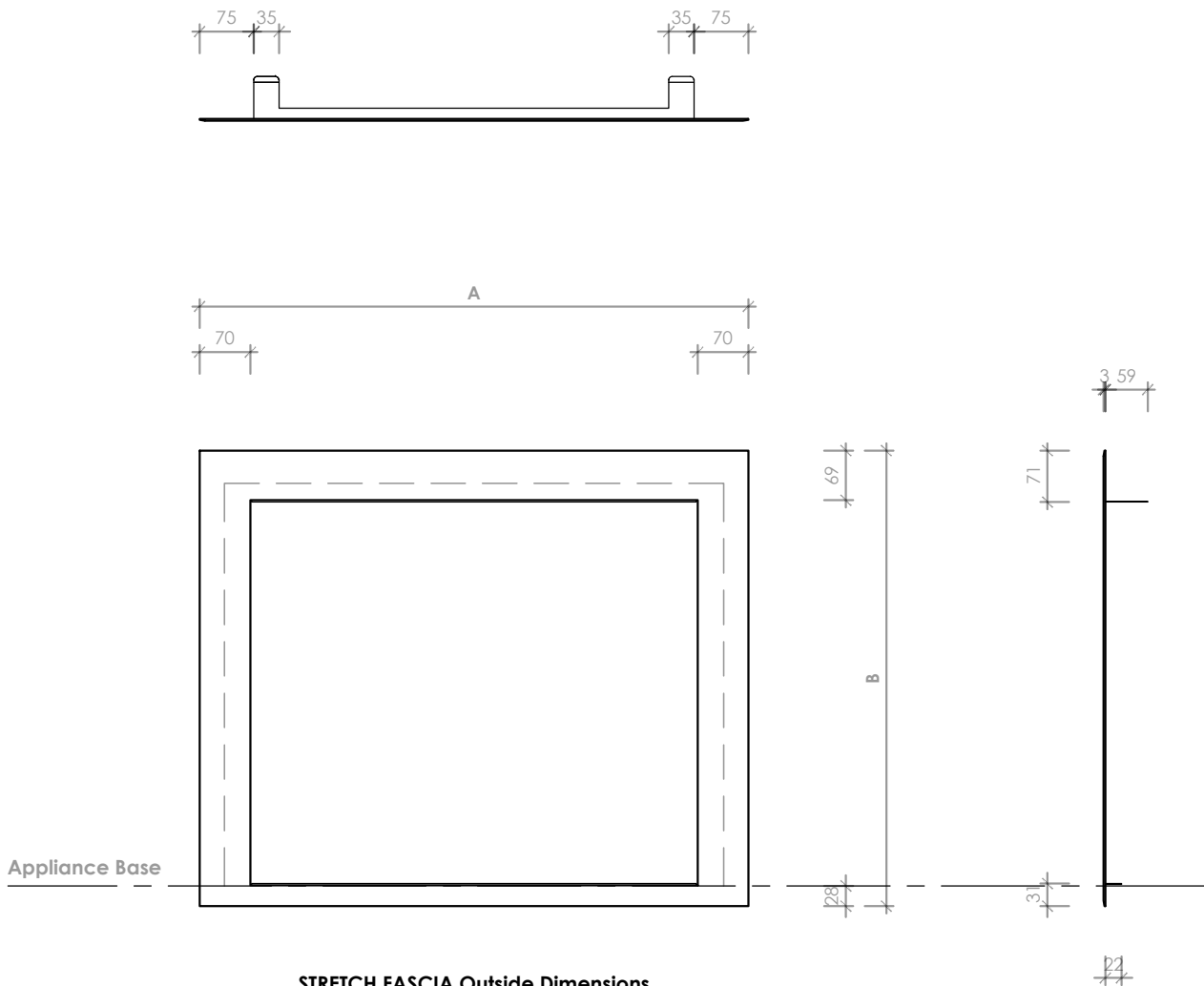


**Notes:**

- All dimensions are in mm.
- Slim Fascia is available in Metallic Black, Titanium Silver or Stainless Steel finishes.
- Fascia is designed to finish flush with the wall surface and overlay the junction between the appliance and the wall lining.
- Powdercoated fascia's can be easily damaged - handle with care.
- For fascia fitting instructions refer to the Escea DF Series Installation Manual, the latest version can be found on our website at [www.escea.com](http://www.escea.com)

GENERAL CONSTRUCTION AND FINISHES SHOWN INDICATIVE ONLY

Contact the ESCEA Architectural Advisory Team for assistance with the specification of this fire - [aa@escea.com](mailto:aa@escea.com)



**STRETCH FASCIA Outside Dimensions**

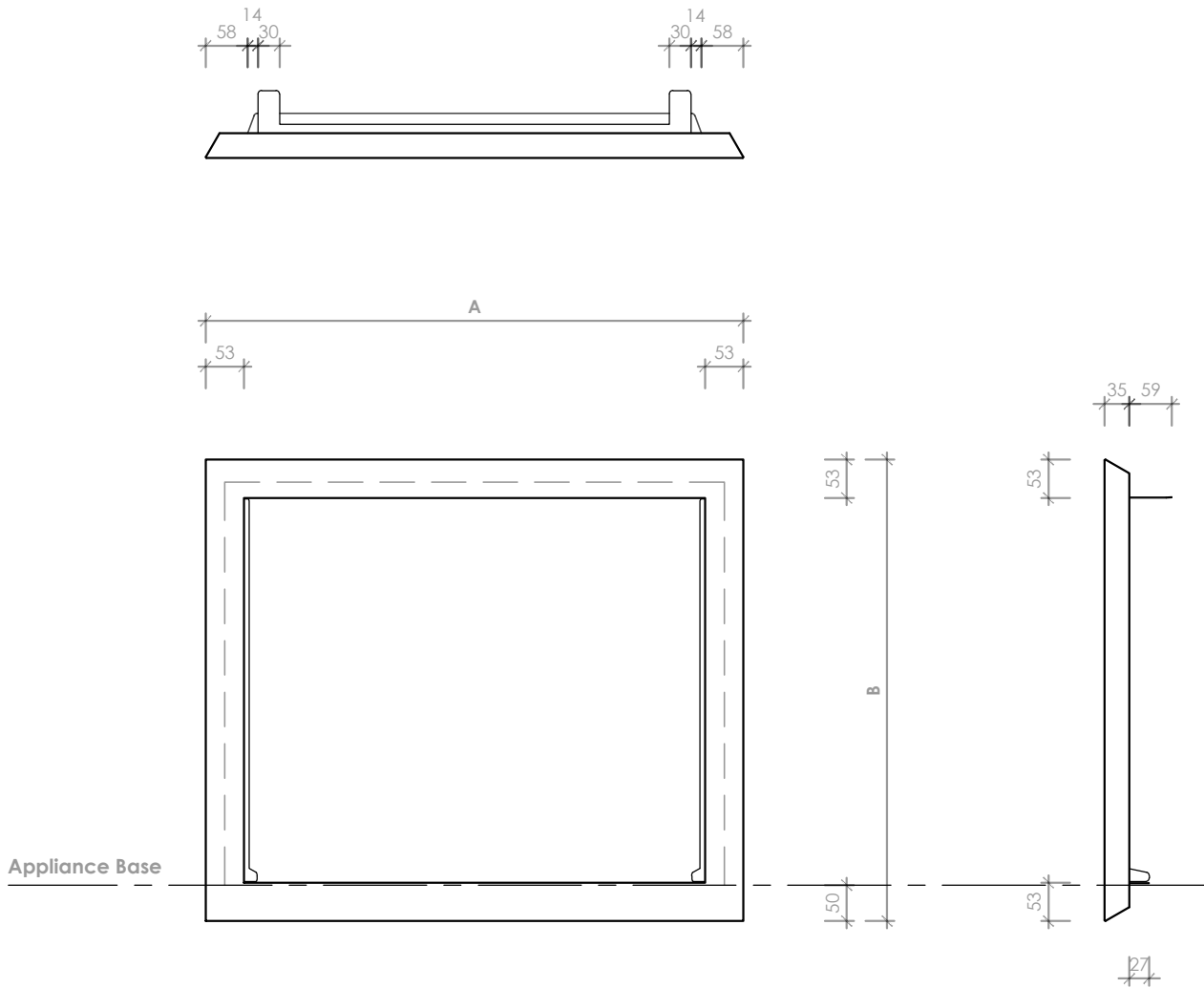
	<b>A</b>	<b>B</b>
<b>DF700</b>	761	632
<b>DF960</b>	1011	632
<b>DF990</b>	1011	920

**Notes:**

- All dimensions are in mm.
- Stretch Fascia is available in Metallic Black, Titanium Silver or Stainless Steel finishes.
- Fascia is designed to finish flush with the wall surface and overlay the junction between the appliance and the wall lining.
- Powdercoated fascia's can be easily damaged - handle with care.
- For fascia fitting instructions refer to the Escea DF Series Installation Manual, the latest version can be found on our website at [www.escea.com](http://www.escea.com)

GENERAL CONSTRUCTION AND FINISHES SHOWN INDICATIVE ONLY

Contact the **ESCEA Architectural Advisory Team** for assistance with the specification of this fire - [aa@escea.com](mailto:aa@escea.com)



**EDGE FASCIA Outside Dimensions**

	<b>A</b>	<b>B</b>
<b>DF700</b>	745	639
<b>DF960</b>	996	639
<b>DF990</b>	N/A	N/A

**Notes:**

- All dimensions are in mm.
- Edge Fascia is available in Metallic Black or Titanium Silver finishes.
- Fascia is designed to finish flush with the wall surface and overlay the junction between the appliance and the wall lining.
- Powdercoated fascia's can be easily damaged - handle with care.
- For fascia fitting instructions refer to the Escea DF Series Installation Manual, the latest version can be found on our website at [www.escea.com](http://www.escea.com)

GENERAL CONSTRUCTION AND FINISHES SHOWN INDICATIVE ONLY

Contact the **ESCEA Architectural Advisory Team** for assistance with the specification of this fire - [aa@escea.com](mailto:aa@escea.com)