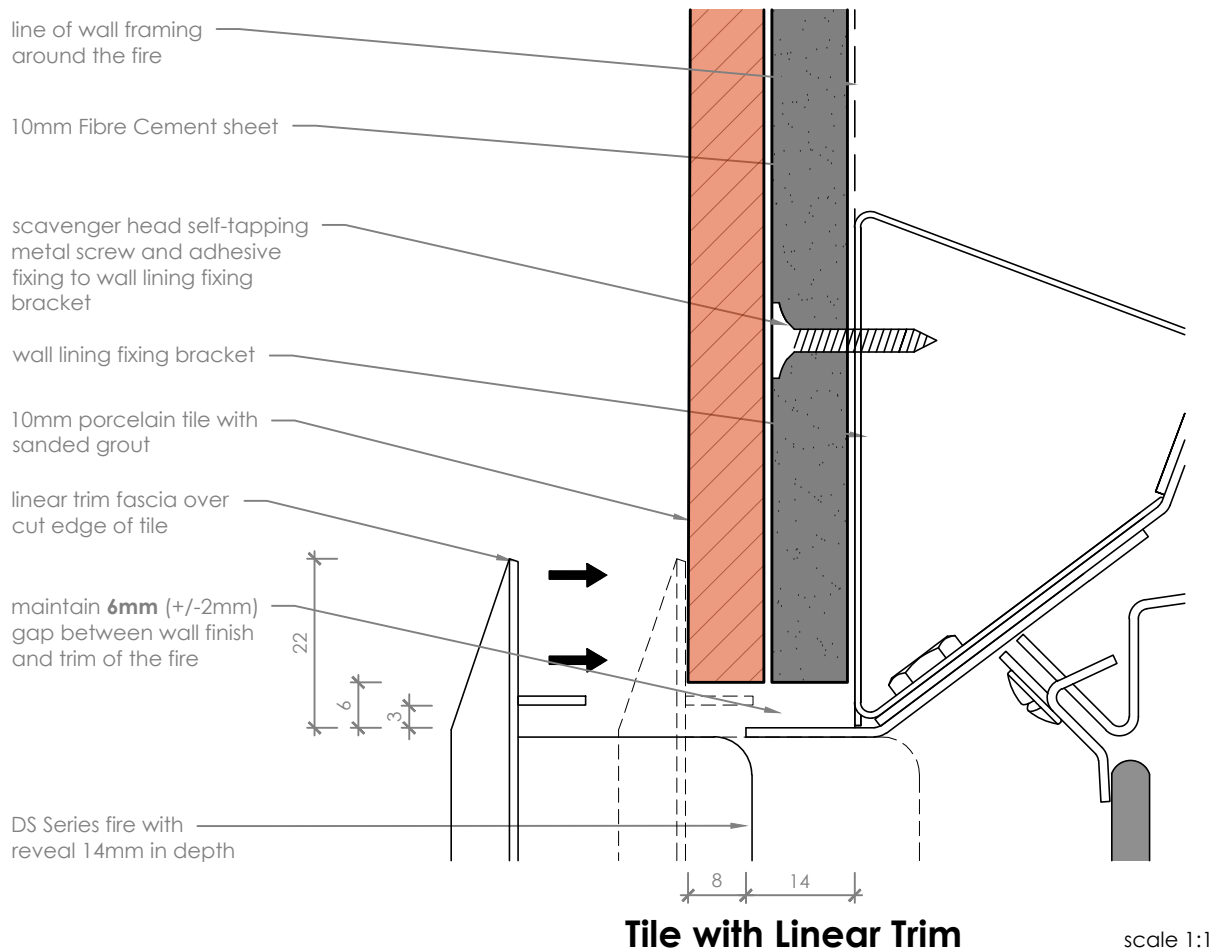


Prolonged unprotected exposure to heat may be detrimental to the appearance or long term performance of a wall lining. Combustible and heat sensitive wall linings or finishes must not protrude past the trim, to the glass viewing area. Some scenarios will require the use of 22mm DS Extended Trim Kit, or a custom solution, to provide adequate protection.



### Notes:

- DO NOT SCALE OFF THESE DRAWINGS. All dimensions are in mm.
- This detail is to assist in the installation of a **Porcelain or Stone Tile Finish** using the **Linear Trim Fascia** to a DS1150, DS1400, DS1650 or DS1900 Gas Fireplace.
- Black fireplace reveals must be able to be removed - ensure any adhesive or compound is kept clear.
- The upper portion of the DS Linear Trim fits above the black reveal of the fireplace viewing area. Ensure the correct orientation and gaps are maintained.
- This technical sheet must be read in conjunction with the Escea DS Series Installation Manual, the latest version can be found on our website at [www.escea.com](http://www.escea.com)

GENERAL CONSTRUCTION AND FINISHES SHOWN INDICATIVE ONLY

Contact the **ESCEA Architectural Advisory Team** for assistance with the specification of this fire - [aa@escea.com](mailto:aa@escea.com)