



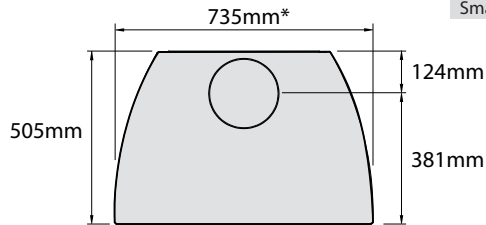
For further information or specifications, visit the technical section of our website [www.escea.com](http://www.escea.com) to view the latest product Installation Manual.

**Appliance Information**

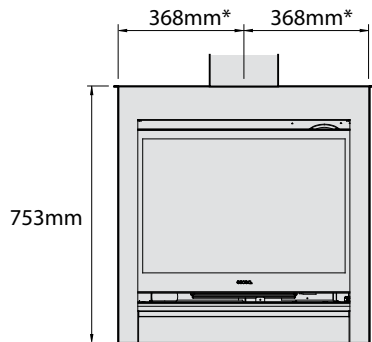
Specifications	
Heat Output	5-5.6 kW
Star Rating	3-4 stars
Gas Input/Consumption	22-25 MJ/hr
Gas Connection	lower right, 1/2" BSP female thread
Gas Type	Natural Gas / ULPG / Propane (Aus)
Weight	45 kg
Room fan	Yes
Flue Type	Simpson Duravent Direct Vent (False Chimney) Flexi Flue (Masonry)
Flue Size	6" Outer, 4" Inner (Direct Vent) 4" and 3" Flexi Flue (Masonry)
Power Requirement	3 pin earthed 230/240V power outlet +isolating switch to be within 1.0m of rear right hand corner of the appliance.
Smart Heat App	Yes

**Product Dimensions**

All outside dimensions taken from the appliance are with the standoffs attached.



**\*Not including Lid Overhang**

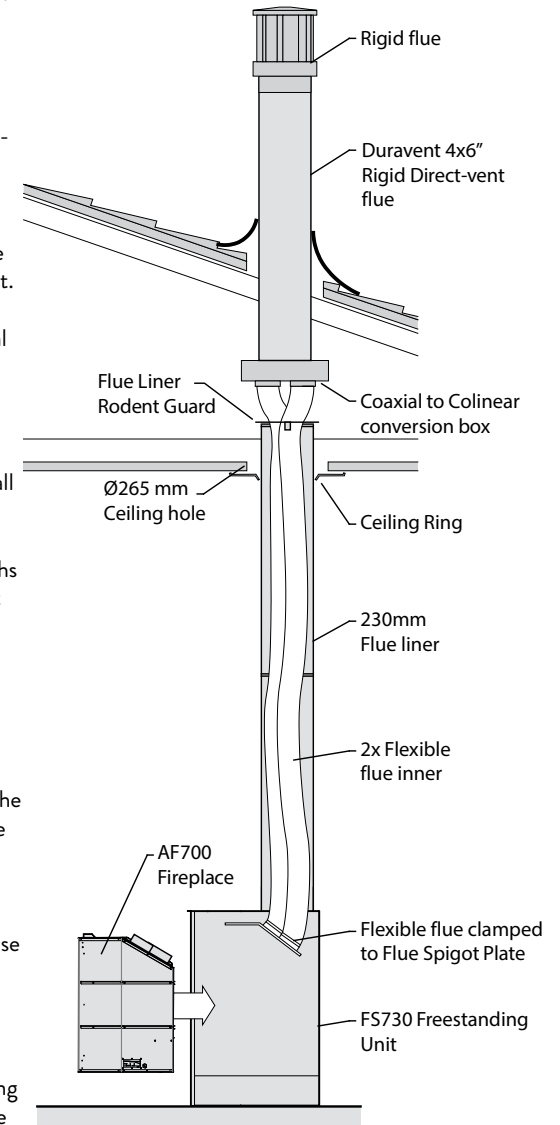


**Flue Installation**

The freestanding unit and flue system should be installed prior to the AF-Series fireplace being installed (for horizontal termination for FS730: see next page).

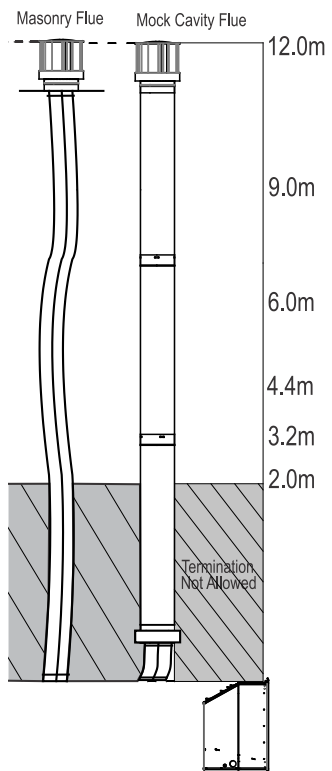
- Place the freestanding unit in the correct location, complying with the clearances specified in the previous section.
- Remove 2 screws on each side of the fascia just below the top panel and pull towards you to remove the fascia.
- Fix the FS730 unit to the floor using the four securing holes in each corner of the unit.
- Refer to Section B3 in the Install Manual for flexi flue and converter box clearances.
- Refer to section C of the Install manual for minimum and maximum flue lengths, restrictor settings for your installation, and all other flue information.
- Run the black Ø230mm flue liner lengths from the top of the freestanding unit until it penetrates the Ø265mm ceiling hole.
- Use the supplied Ceiling plate for tidying the internal termination point of the Ø230mm flue liner.
- Run the 2x flexible flues down through the Ø230mm flue liner and attach it to the Flue Spigot Plate as per section C of the install manual
- Open the flue liner rodent guard and close around the flexi flue. Rivet, screw or cable tie the open end to prevent it from opening. Bend the two perpendicular tabs down and screw into the flue liner using a short self tapping screw. **Note:** Take care when installing the rodent guard to not cause damage to the flexi flue.
- Install flue termination as per section C of the Install manual

Note: Ensure a power supply is within 1m of the rear of the appliance.

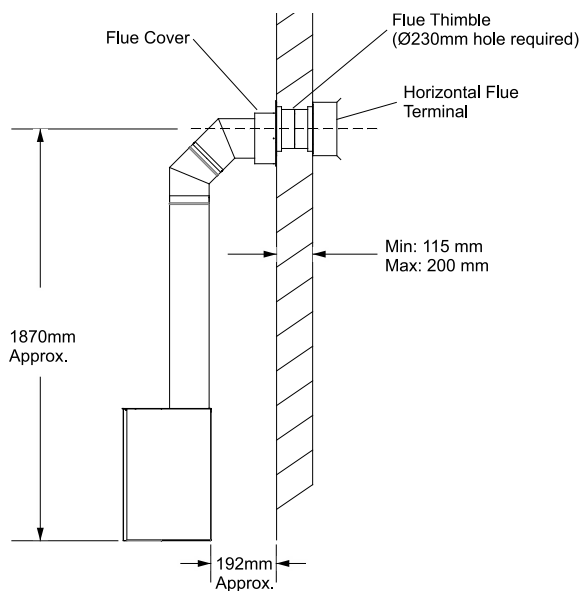


## Flue Information

### Vertically terminating flue diagram

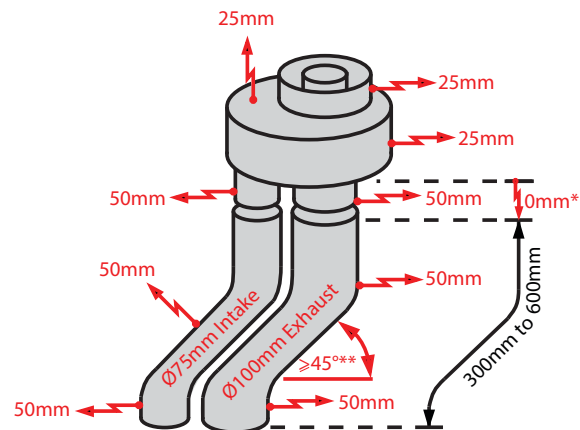
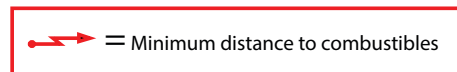


### Inroom horizontal flue kit



## Clearances

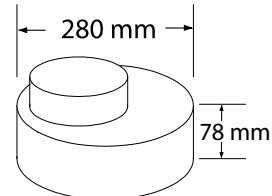
### Flueing Clearances



\*Note: Underside of converter box can be fixed straight onto wooden joists.

\*\*Note: Flexi-Flue must not be run at an angle greater than 45 degrees from vertical; excluding all appliance built into a freestander kit.

### Converter Box Dimensions



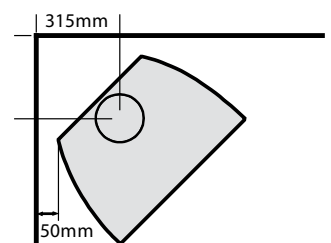
### Hearth and Clearances

A Hearth is not required, however it may be used for decorative purposes or for protection of sensitive flooring. The hearth should not obscure the front face of the fire.

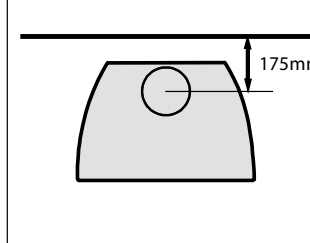
Do not place items or furnishings on top of the freestanding fireplace, and ensure soft furnishings do not come in contact with the freestanding fireplace.

### Locating the FS730

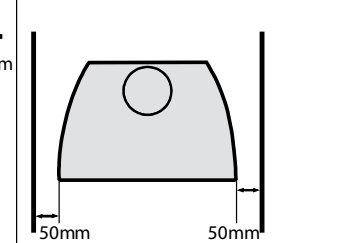
Corner installation minimum clearances



Wall installation minimum clearances



Side Wall Installation minimum clearances



IMPORTANT : Refer to the installation manual for mandatory clearances from the terminal.