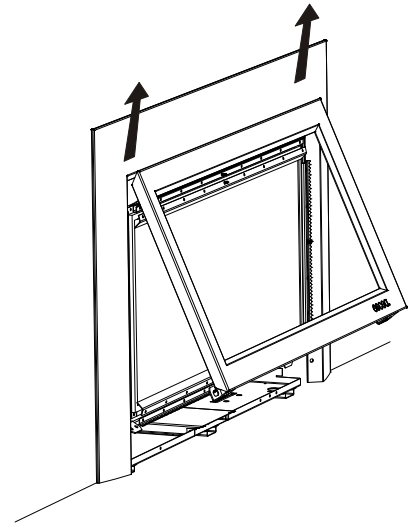


Installing an IB850 Log Template

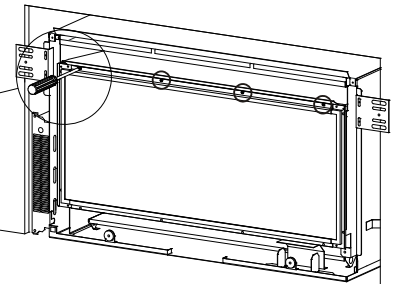
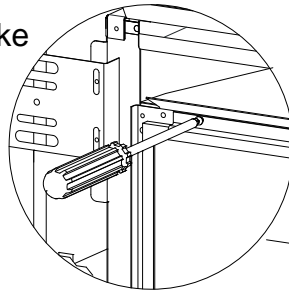
G0200

Removing the log set and glass:

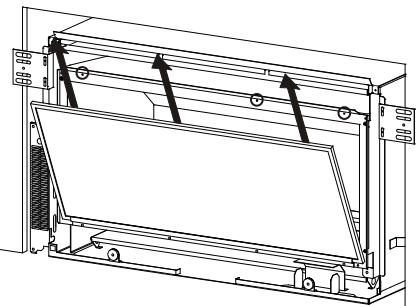
Step 1: Lift off the inner fascia by pulling the base of inner fascia out and lifting it up and off.



Step 2: Unscrew the top glass retainer and remove it. Take care that the glass does not fall forwards at this stage.

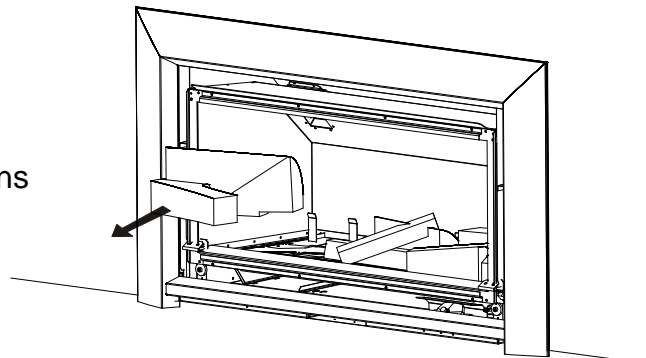


Step 3: Lift out glass and place it carefully aside.



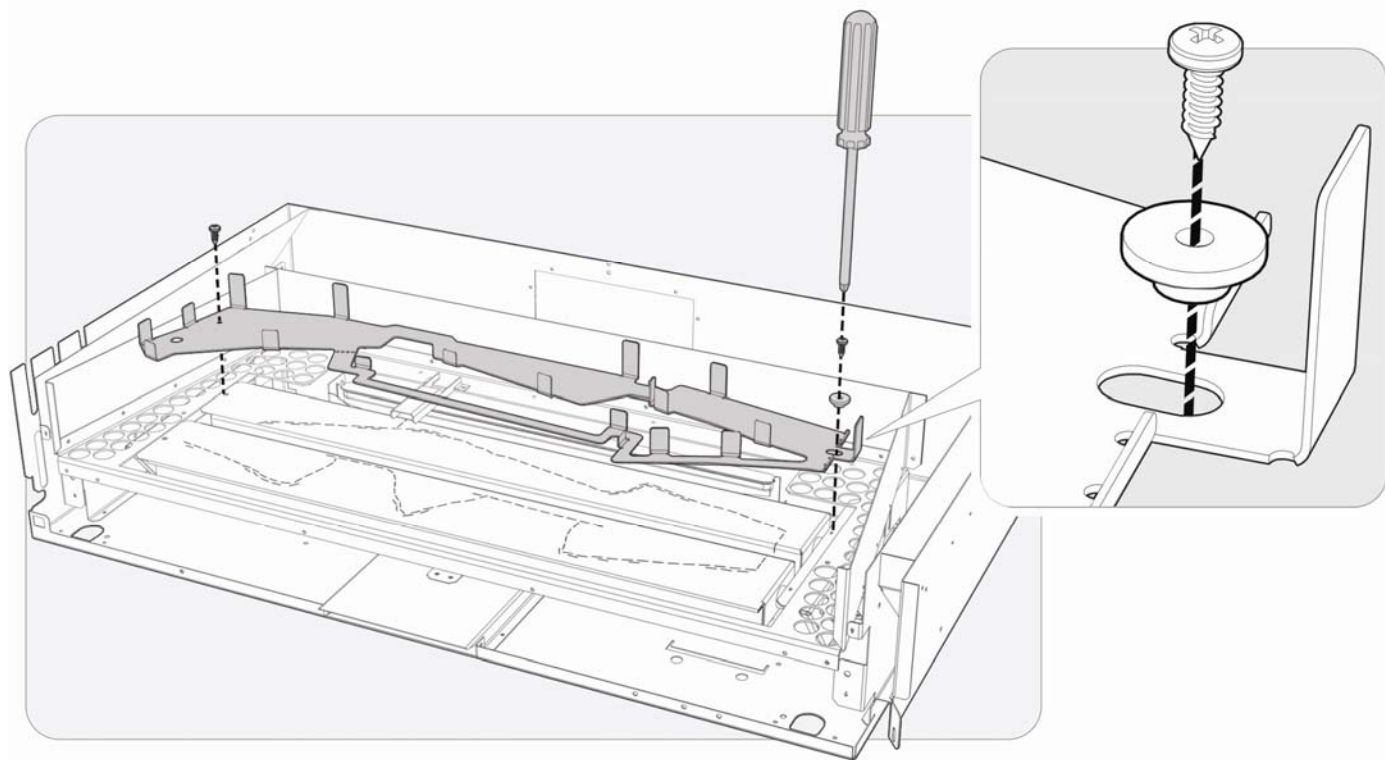
Step 4: Take out log set and gently brush any soot from log with a soft hearth brush. The burner tops can be vacuumed to remove any excess material.

Step 6: Install the Log Template as per instructions on the opposite page.



To attach the Log Template at the left hand side, use the existing screw which is holding the middle burner in place. Remove this screw and re-attach with the log bracket in place.

To attach to the right hand side, use the supplied screw and brass washer as shown in the diagrams below. In some cases it may be necessary to drill a 1/8" (3.3mm) hole in the lower baffle.



Position the logs as shown below, ensuring that the logs do not block any of the holes on the top of the burners. Blocked or covered holes on the burners may result in reduced flame efficiency.

Note: The front right hand log will be raised slightly off the burners to improve airflow.

