

CAVITY CONSTRUCTION

The LE Series Electric Fireplace and complementary Niche are designed to fit within the same cavity. The cavity can be constructed from standard building materials, but must have a continuous base. Please allow for a 10A electrical socket to each niche for built-in downlighting.

WALL LINING

Use min. **10mm thick wall linings**, selecting materials suitable for the installation. Where materials or finishes extend forward of the 14mm fireplace trim consider how the finished edge will look. The 14mm fireplace trim can be replaced with the 22mm or 36mm Extended Trim Kit. Maintain a 3mm gap (+/- 2mm) to the fireplace's finishing trim to allow for movement.

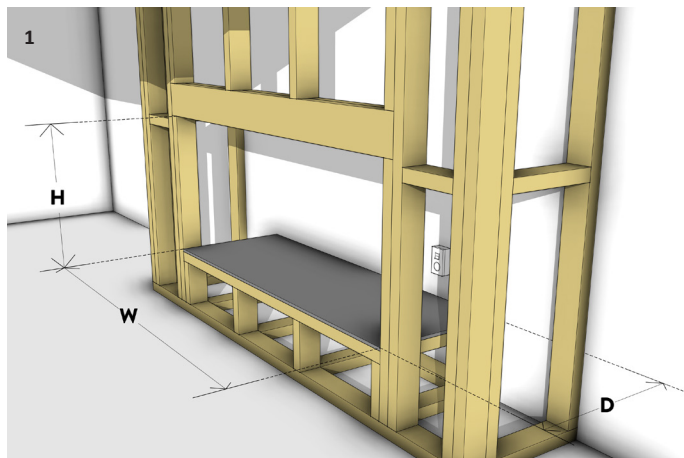
FINISH OPTIONS

The LE Series Fireplace and Niche can be finished frameless or with a 25mm Linear Trim Fascia. The linear trim overlaps the wall lining by 25mm and is available in single or double niche widths for both the LE800 and LE1000. (See right)

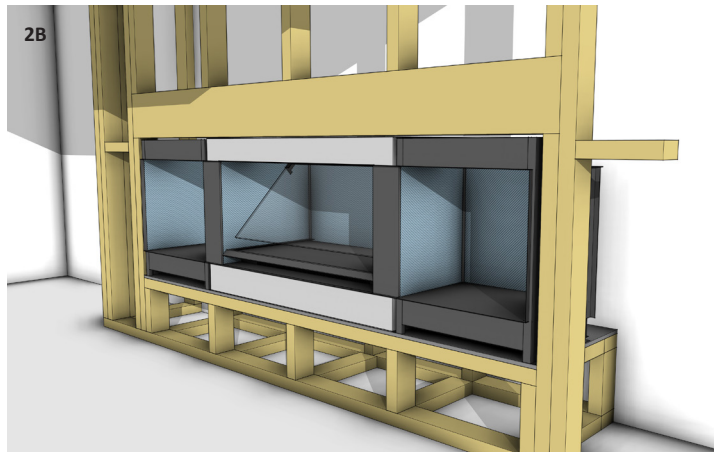
WALL CAVITY OPENING DIMENSIONS

	W	H	D
LE800 with Single Niche	1505	610	500
LE800 with Double Niche	2005	610	500
LE1000 with Single Niche	1705	610	500
LE1000 with Double Niche	2205	610	500

CAVITY INSTALLATION STEPS

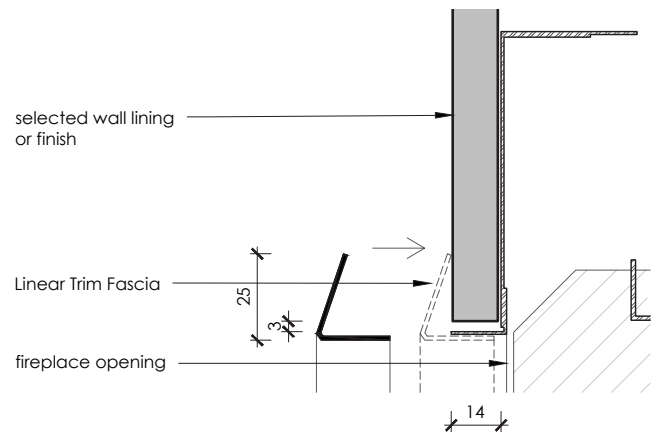


Build the chimney framework with consideration to the minimum cavity opening requirements described above for either the single or double niche. Ensure a continuous base for the fireplace. *Cavity for LE800 Electric Fireplace with single niche shown.*



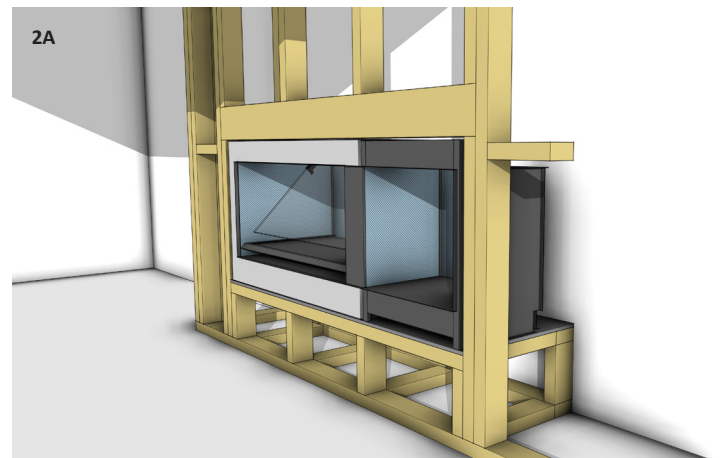
Install the LE Series Fireplace and niche following the instructions provided, connecting and confirming power supply to fireplace and niche. Both the LE Series Fireplace and Niche should be flush with the framework. *LE800 Electric Fireplace with double niche shown.*

FINISH DETAIL

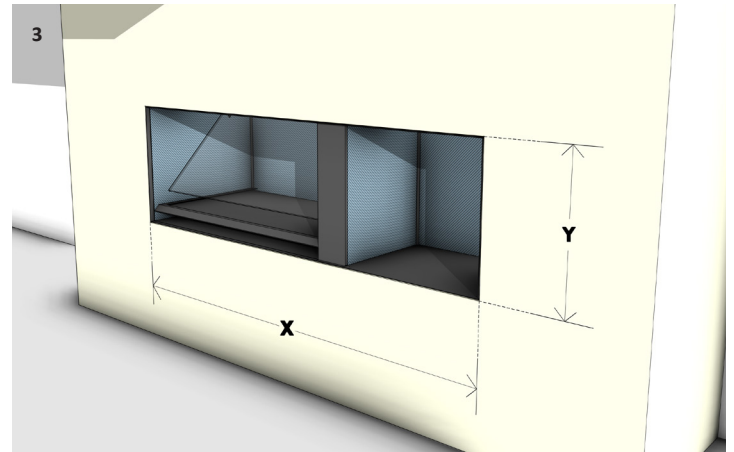


WALL CUTOUT DIMENSIONS

	X	Y
LE800 with Single Niche	1362	408
LE800 with Double Niche	1915	408
LE1000 with Single Niche	1562	408
LE1000 with Double Niche	2115	408



Install the LE Series Fireplace and niche following the instructions provided, connecting and confirming power supply to fireplace and niche. Both the LE Series Fireplace and Niche should be flush with the framework. *LE800 Electric Fireplace with single niche shown.*



Attach wall linings to the framework and fireplace, maintaining a 3mm gap from the fireplace trim. Follow the provided wall lining cutout dimensions above. Complete the project by adding an additional LE Series Linear Trim or other fixtures and finishes.