

# **IMPORTANT!**

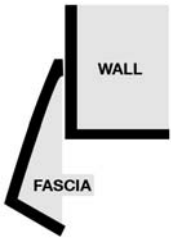
**READ THIS DOCUMENT BEFORE  
INSTALLING OUTER SKIN KIT**

escea.

**P.T.O**

It is important that you know which type of fascia is to be used on the fireplace when installing the Outer Skin Kit. Please take note of the following information which relates to your fascia type:

## IF THE FIREPLACE WILL BE USING A 'BEVELLED' STYLE FASCIA:

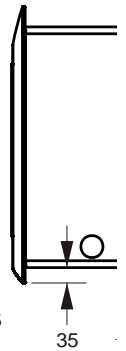


### Location of hearth:

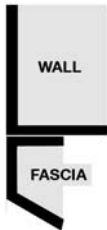
If you intend on using a 4-sided Bevelled fascia, any Hearth or horizontal surface below the fire must be a minimum of 35mm from the base of the Outer Skin Kit.

This is due to the fascia extending down this distance as shown to the right.

If you are using a 3-sided Bevelled fascia, any Hearths or horizontal surfaces can be level with the base of the Outer Skin Kit and/or Cavity.



## IF THE FIREPLACE WILL BE USING AN 'INSET' STYLE FASCIA:

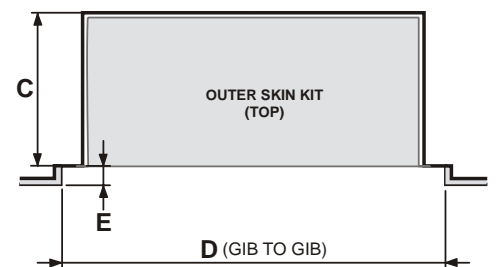
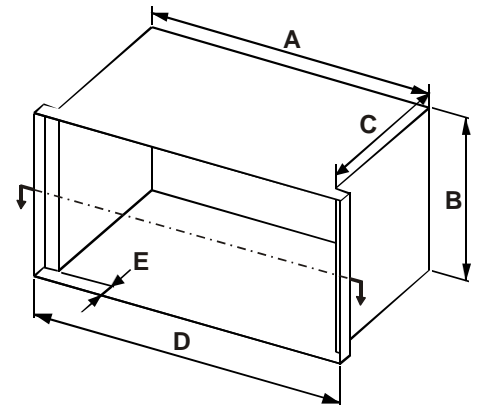


### Creating the Cavity:

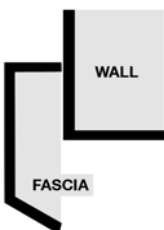
The dimensioned drawing to the right shows the minimum size of opening that must be created to keep combustible materials the required distance from the heater. The wall board that lines the outside of this opening can be normal dry wall (Gib Board) and does not need to be non-combustible providing that it does not come any closer to the fire than the dimensions below show.

### Internal Cavity & Product Dimensions: (mm)

	IB850	IB1100
A	965	1265
B	565	565
C	565	565
D	995	1295
E	36 minimum	36 minimum



## IF THE FIREPLACE WILL BE USING A 'SQUARED' STYLE FASCIA:



### Location of hearth:

If you intend on using a Squared style fascia, any Hearth or horizontal surface below the fire must be a minimum of 80mm from the base of the Outer Skin Kit.

This is due to the Squared fascia extending 50mm down below the base of the Outer Skin Kit, and the fire requiring 30mm below this for ventilation.

