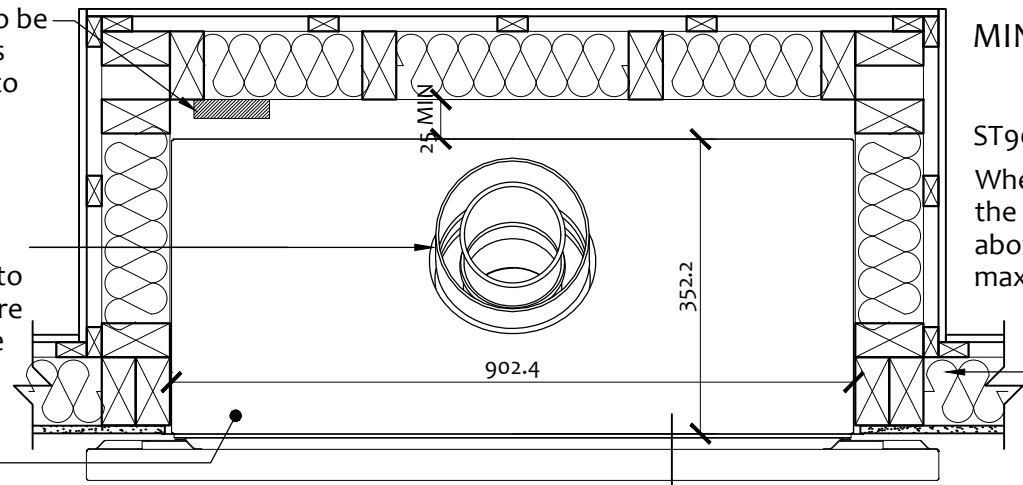


Allowance needs to be made for the mains connection - refer to section 9.1 of the ST900 installation manual

25mm clearance around flue - refer to section 12.3 for more information on flue clearances

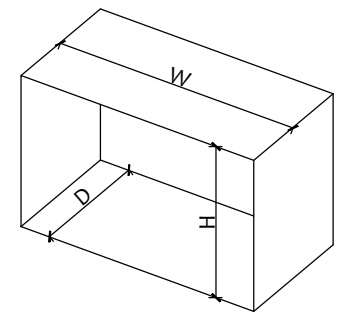
Firebox



PLAN  
Scale: 1:10

**MINIMUM CAVITY DIMENSIONS (mm)**  
W H D

ST900 (timber frame) 910 555 380  
Where possible it is recommended that the cavity is made a little larger than the above dimensions to give the installer the maximum amount of space to work in.



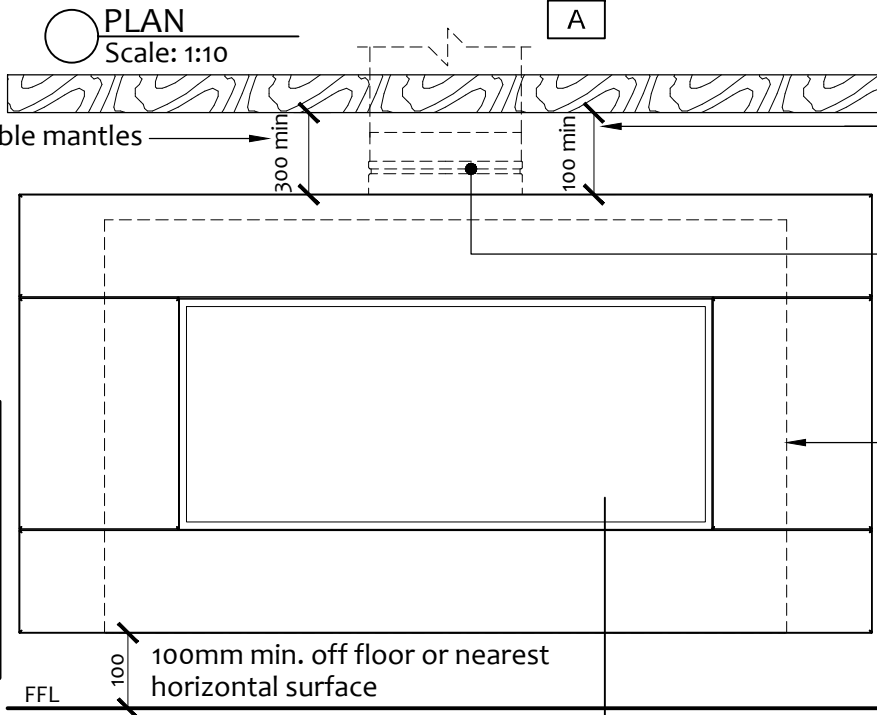
Typical timber structure with required insulation and linings

For flue terminations refer to section 12.9 of the ESCEA ST900 installation manual

Clearances for combustible mantles

**Refer to the ST900 installation manual (pg 10) for more information on acceptable mantle clearances.**

**Mantle design as EXAMPLE ONLY**  
ESCEA SLAB (FERRO) Fascia Illustrated - Refer to drawing EDA-0013 for more information on this fascia style.



ELEVATION  
Scale: 1:10

Clearances for non-combustible mantles

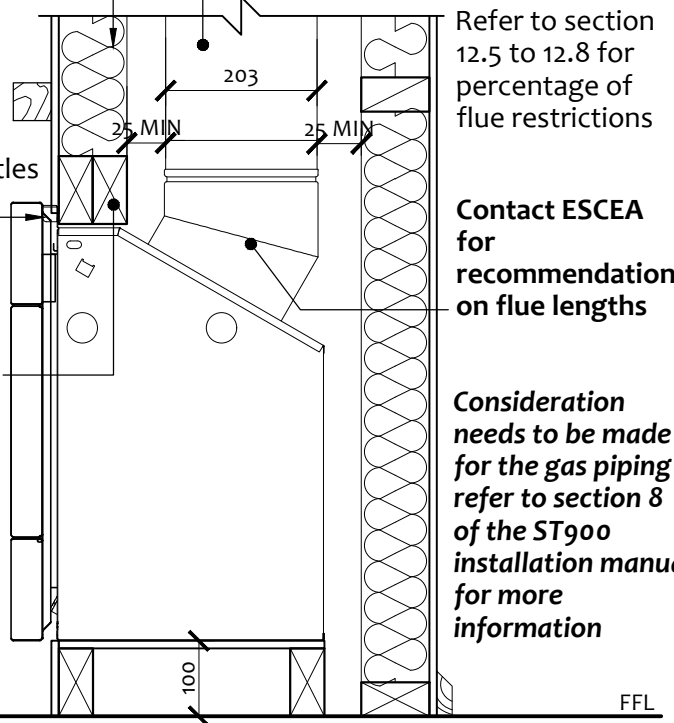
ST900 grill

Indication of flue behind

Lintel, if necessary, to comply with NZS3604

Indication of firebox behind

**GENERAL CONSTRUCTION AND FINISHES SHOWN ARE INDICATIVE ONLY**



CROSS SECTION A-A  
Scale: 1:10

Refer to section 12.5 to 12.8 for percentage of flue restrictions

**Contact ESCEA for recommendations on flue lengths**

**Consideration needs to be made for the gas piping - refer to section 8 of the ST900 installation manual for more information**

<p>Escea Ltd. 17 Carnforth Street Dunedin, 9018 New Zealand</p>	DRAWING TITLE: <b>ST900 FIREBOX INSTALLATION</b>			
	SCALE AT A-A: AS SHOWN	DATE: 01/12/2016	DRAWN BY: MH	CHECKED:
	DRAWING NO: EDA-0015	ECN NO.:	REVISION NO: 0002	

This sheet is to be used in conjunction with Escea's DF Series installation manual, the latest version can be found on our website [www.escea.com/nz/technical/](http://www.escea.com/nz/technical/); failure to do so may result in improper specification and/or design leading to a dangerous, inadequate and/or poor installation.